

LOGIC AR111 Downlight M

Quick Reference Guide

English	EN
Español	ES
Français	FR
Deutsch	DE
Nederlands	NL



Model ID: LOGICAR111DNM

ILUMINARC®

About This Guide

The LQGIC AR111 Downlight M Quick Reference Guide (QRG) has product information such as mounting, menu options, and DMX values. Download the User Manual for the LQGIC Drive 2X from www.iluminarc.com for more details.

Disclaimer

The information and specifications contained in this QRG are subject to change without notice.

LIMITED WARRANTY

FOR WARRANTY REGISTRATION AND COMPLETE TERMS AND CONDITIONS PLEASE VISIT OUR WEBSITE.

For Customers in the United States and Mexico: www.iluminarc.com/warranty-registration-architectural-lighting.

For Customers in the United Kingdom, Republic of Ireland, Belgium, the Netherlands, Luxembourg, France, and Germany: www.iluminarc.com/warranty-registration-architectural-lighting.

Chauvet warrants that this product shall be free from defects in material and workmanship under normal use, for the period specified in, and subject to the exclusions and limitations set forth in the full limited warranty on our website. This warranty extends only to the original purchaser of the product and is not transferable. To exercise rights under this warranty, you must provide proof of purchase in the form of an original sales receipt from an authorized dealer that shows the product name and date of purchase. THERE ARE NO OTHER EXPRESS OR IMPLIED WARRANTIES. This warranty gives you specific legal rights. You may also have other rights that vary from state to state and country to country. This warranty is valid only in the United States, United Kingdom, Republic of Ireland, Belgium, the Netherlands, Luxembourg, France, Germany and Mexico. For warranty terms in other countries, please consult your local distributor.

Safety Notes

These Safety Notes include important information about installation, use, and maintenance.

- The luminaire should be positioned so that prolonged staring into the luminaire at a distance closer than 3.3 ft (1m) is not expected.
- If the external flexible cable or cord of this luminaire is damaged, it shall be replaced with a special cable or cord exclusively available from the manufacturer or its service agent.
- The light source contained in this luminaire shall only be replaced by the manufacturer, its service agent, or a similarly qualified person.
- The luminaire is intended for professional use only.
- DO NOT open this product. It contains no user-serviceable parts.
- DO NOT look at the light source when the product is on.
- Do not use this product in an existing luminaire.
- CAUTION: When transferring product from extreme temperature environments, (e.g. cold truck to warm humid ballroom) condensation may form on the internal electronics of the product. To avoid causing a failure, allow product to fully acclimate to the surrounding environment before connecting it to power.
- CAUTION: This product's housing may be hot when lights are operating.
- Mount this product in a location with adequate ventilation, at least 20 in (50 cm) from adjacent surfaces.
- DO NOT leave any flammable material within 11.8 in (30 cm) of this product while operating or connected to power.
- USE a safety cable when mounting this product overhead.
- DO NOT operate this product outdoors or in any location where dust, excessive heat, water, or humidity may affect it. (IP20)
- DO NOT operate this product if the housing, lenses, or cables appear damaged.
- ONLY connect this product to IEEE 802.3bt POE power source equipment (PSE).
- ONLY connect this product to a grounded and protected circuit.
- In the event of a serious operating problem, stop using immediately.
- The startup temperature range is -4 °F to 113 °F (-20 °C to 45 °C). Do not start the product outside this range.
- The operating temperature range is -40 °F to 113 °F (-40 °C to 45 °C). Do not operate the product outside this range.
- The storage temperature range is -40 °F to 167 °F (-40 °C to 75 °C). Do not store the product outside this range.

FCC Compliance

This device complies with Part 15 Part B of the FCC Rules. Operations is subject to the following two conditions:

1. This device may not cause harmful interference, and
2. This device must accept any interference received, including interference that may cause undesired operation.

Any changes or modifications not expressly approved by the party responsible for compliance could void the user's authority to operate the equipment.

Contact

Outside the U.S., U.K., Ireland, Benelux, France, Germany, or Mexico, contact your distributor to request support or return a product. Refer to [Contact Us](#) at the end of this QRG for contact information.

What is Included

- LQGIC AR111 Downlight M
- Hi-hat bracket
- Trim ring accessory
- Medium and wide filters
- Hanging pendant bracket
- Quick Reference Guide

DC Power

This product is powered by the LQGIC Drive 2X with a CAT6 connection of 52 VDC. Download the User Manual for the LQGIC Drive 2X from www.iluminarc.com for more details.

Power Linking

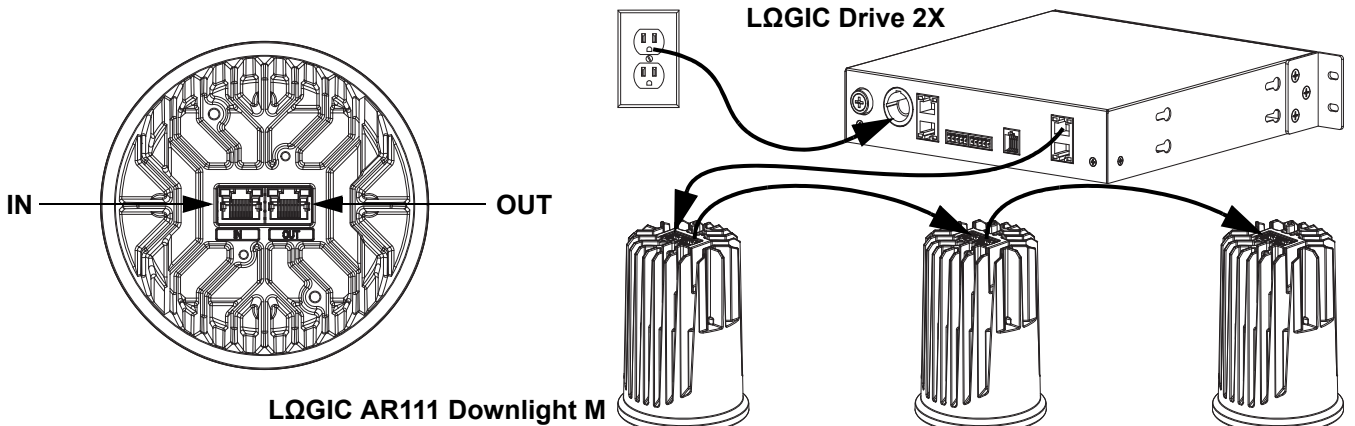
It is possible to link up to 3 LQGIC AR111 Downlight M products from one output of the LQGIC Drive 2X.

Signal Linking

The LQGIC AR111 Downlight M will receive a control signal (DMX, RDM, Art-Net™, or sACN) from the LQGIC Drive 2X via a CAT6 connection.

Connecting and Cabling

The LQGIC AR111 Downlight M has an IN port and an OUT port which require a CAT6 ethernet connection.



Short cables such as those run through the cable pipe of a hi-hat can may use a smaller gauge, but any cable longer than 50 ft (15 m) must be 23 AWG and shielded, or the products may not receive enough power.

Cable requirements: Max/Min gauge of 23/28 AWG CAT6 4 twisted pair.

- For distances less than 50 ft (15 m): 23-28 AWG (shielded or unshielded)
- For distances from 50-328 ft (15-100 m): 23 AWG (shielded)

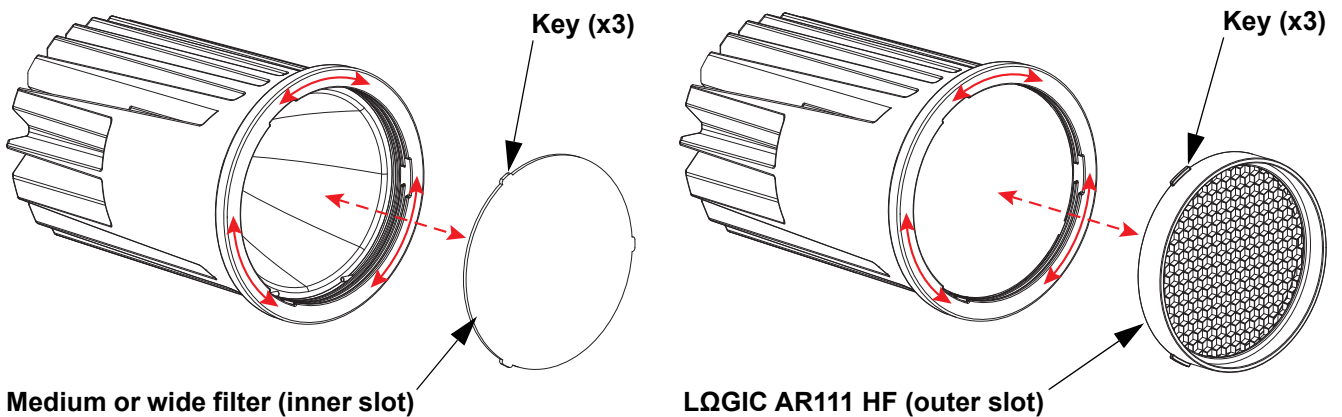


The diameter of cable pipes in hi-hats requires a smaller diameter CAT6 cable, such as Monoprice Slimrun CAT6 Ethernet patch cables, stranded 550 MHz, UTP, pure bare copper wire, 28 AWG.

Filters

The LQGIC AR111 Downlight M has 2 filter slots.

- The inner filter slot fits the medium filter (pre-installed) or the wide filter (included).
- The outer filter slot fits the LQGIC AR111 HF (Honeycomb Filter, sold separately by Illuminarc).
- To remove the installed filter, turn it until the keys on the edge line up with the openings in the slot.
- To install a filter in an empty slot, line up the keys on the edge with the openings in the slot and insert. Turn the filter so the keys are secure.



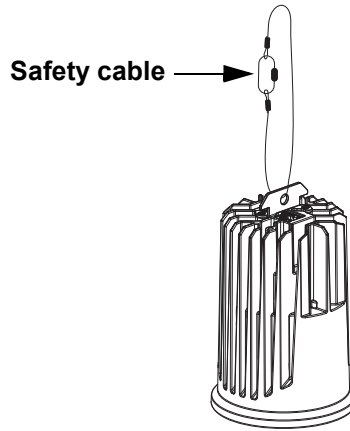
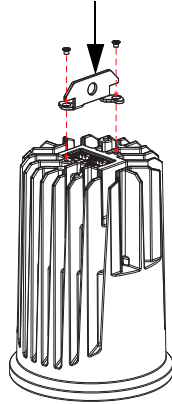
Turn the filter no more than 60° or it may not be secure.

Mounting

Before mounting this product, read the [Safety Notes](#).

Pendant Mounting

Hanging pendant bracket



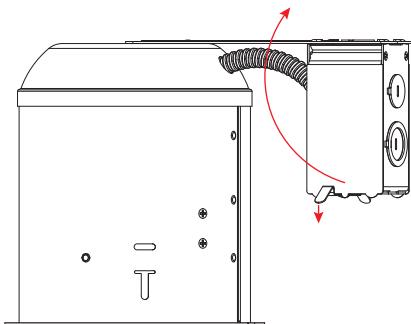
Hi-Hat Preparation

The LQGIC AR111 Downlight M comes with a hi-hat bracket for mounting in a hi-hat can. Before mounting this product in a hi-hat can, read the [Safety Notes](#).

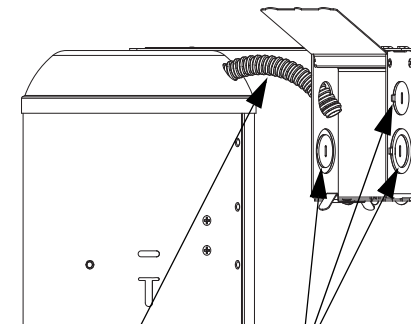
1. Remove the AC power wiring from the junction box completely, and use a flat-head screwdriver or pliers to remove a knockout for the CAT6 cables.
2. Route 2 unterminated CAT6 cables through the knockout and cable pipe and terminate them with RJ45 plugs on the other end.

 **The diameter of cable pipes in hi-hats requires a smaller diameter CAT6 cable, such as Monoprice Slimrun CAT6 Ethernet patch cables, stranded 550 MHz, UTP, pure bare copper wire, 28 AWG.**

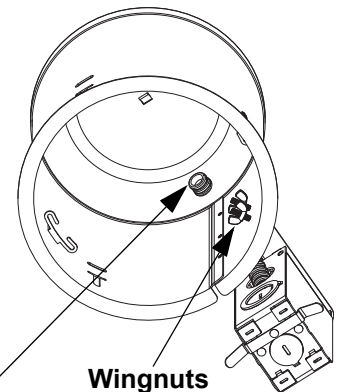
3. Remove the bracket which comes with the hi-hat, keeping any wingnuts for the next step.
4. Install the hi-hat bracket which came with the LQGIC AR111 Downlight M with the wingnut(s) from the previous step. This bracket is designed to replace the bracket which comes with the hi-hat.



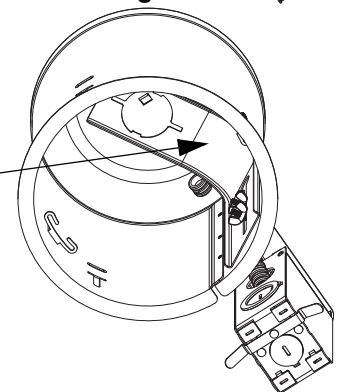
Press down on the tab to open the side panel of the junction box



Pull CAT6 cables through here and terminate with RJ45 plugs



Wingnuts



LQGIC AR111 Downlight M hi-hat bracket

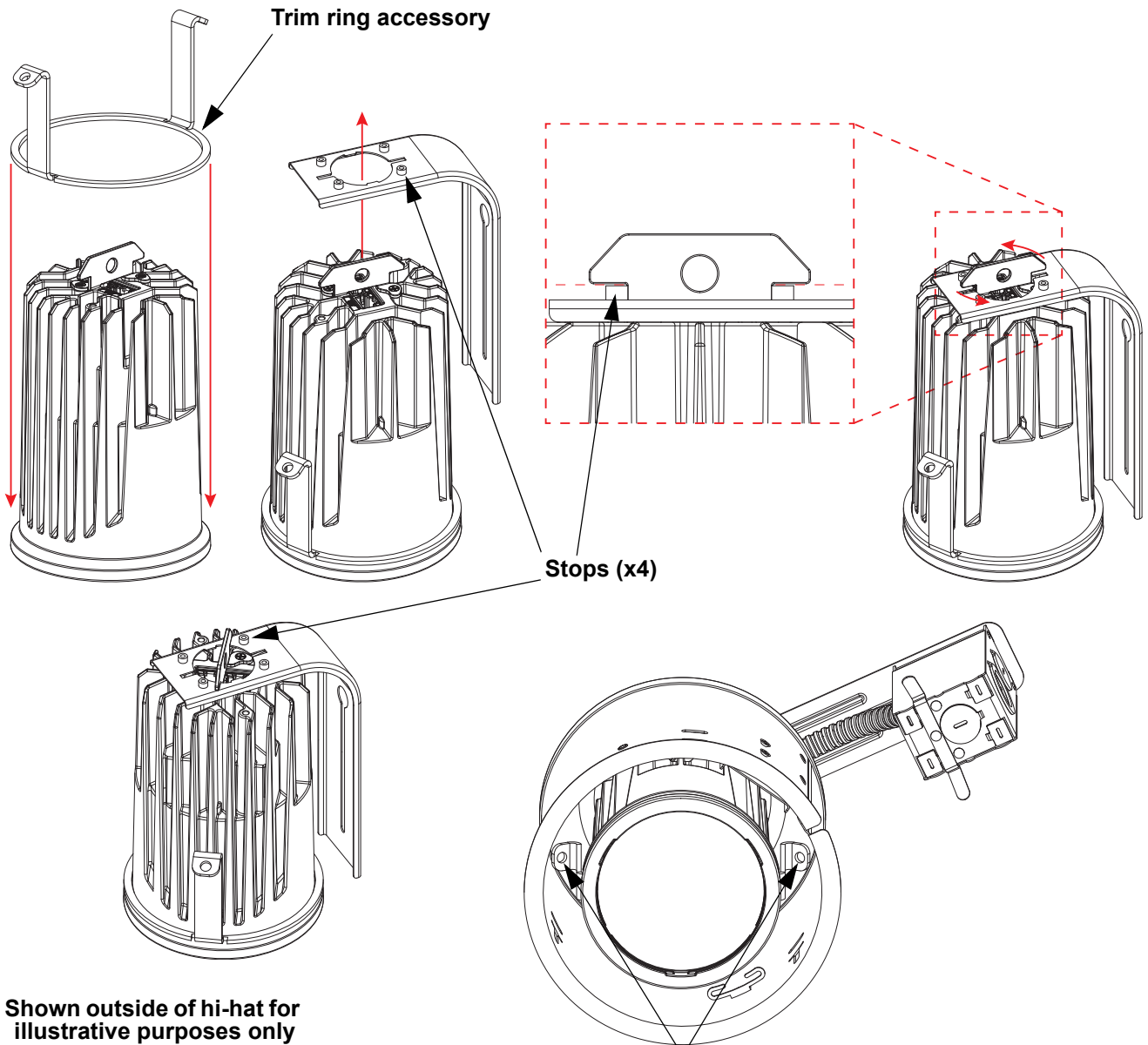


Obey all local codes and regulations when installing hi-hats and wiring overhead.

Hi-Hat Mounting

To mount the LQGIC AR111 Downlight M in the prepared hi-hat can:

1. Install the hanging pendant bracket on the product (see [Pendant Mounting](#)).
2. Place the trim ring accessory on the product from above.
3. Plug in the CAT6 cables routed through the cable pipe of the hi-hat. Take care to plug the in and out cables to their correct ports.
4. Insert the product so the pendant bracket passes up through the hi-hat bracket and past the stops.
5. Turn the product and lower it so the pendant bracket rests between the stops on the hi-hat bracket.
6. Attach the springs of a trim ring (not shown) to the posts of the trim ring accessory.

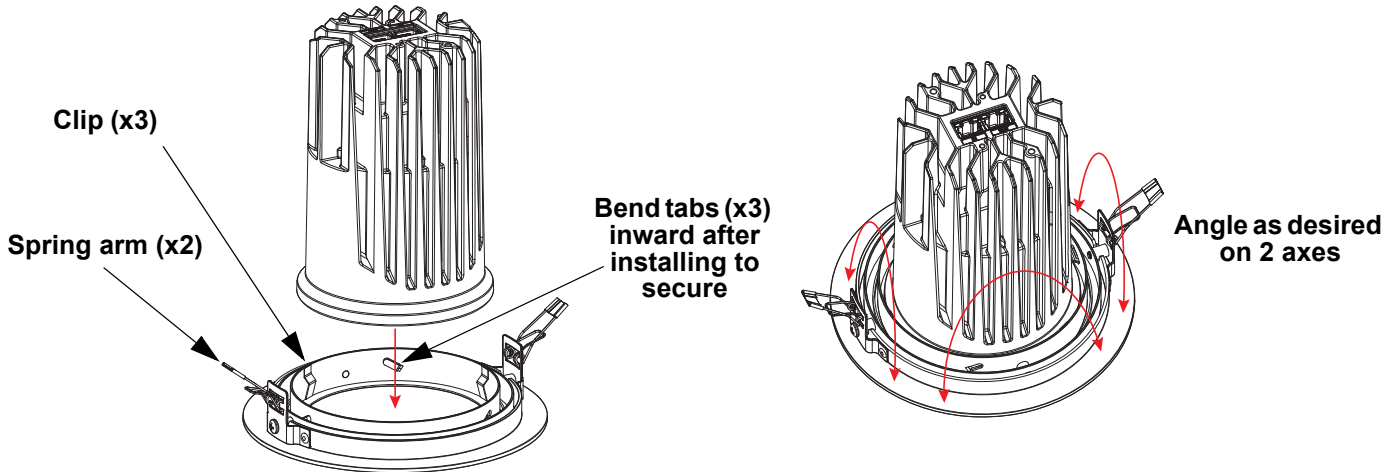


Attach the springs of a trim ring (not shown) to the posts of the trim ring accessory

LQGC AR111 TRIM Installation

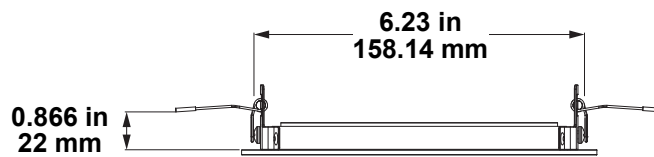
The LQGC AR111 TRIM (sold separately by Iluminarc) can be used to mount the LQGC AR111 Downlight M flush to a ceiling or overhead surface. To attach the LQGC AR111 TRIM to the LQGC AR111 Downlight M, insert the LQGC AR111 Downlight M into the top opening of the LQGC AR111 TRIM until it snaps into place. Bend the tabs inward after installing to secure.

To remove the LQGC AR111 TRIM, bend the tabs to their original positions, push down on one of the clips, and pull the LQGC AR111 Downlight M in the opposite direction until it comes free.



LQGC AR111 TRIM Mounting

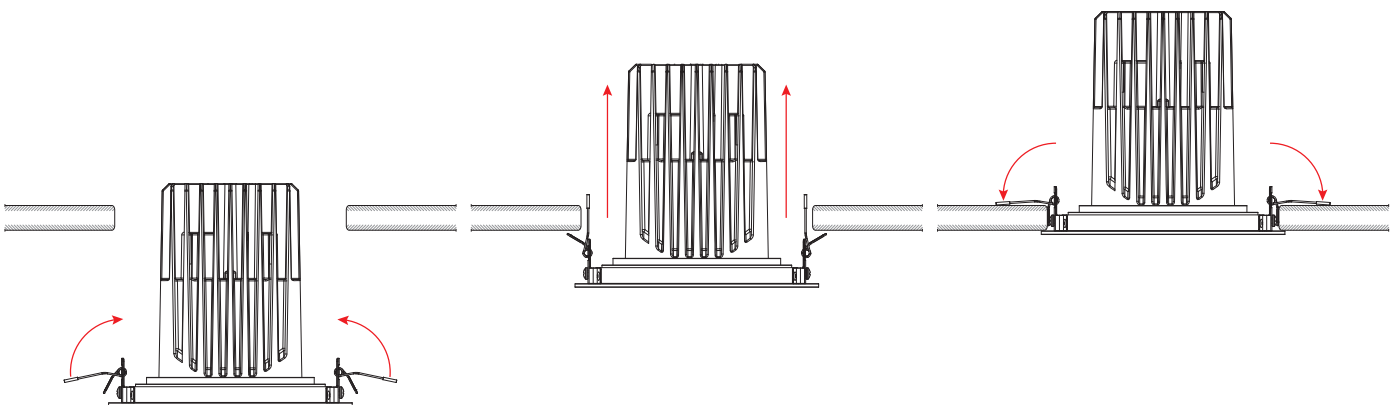
Before mounting this product with the LQGC AR111 TRIM, read the [Safety Notes](#).



- The maximum ceiling thickness which the LQGC AR111 TRIM can support is 0.866 in (22 mm).
- The LQGC AR111 TRIM fits into a hole with a diameter of 6.23 in (158.14 mm).

To mount the LQGC AR111 Downlight M with the LQGC AR111 TRIM attached, do the following:

1. Cut a 6.23 in (158.14 mm) hole in the ceiling or overhead surface to be used.
2. Route all cables necessary to that hole and plug into the LQGC AR111 Downlight M before mounting.
3. Push and hold the spring arms on the LQGC AR111 TRIM up and in.
4. Insert the LQGC AR111 Downlight M into the hole until the edges of the hole are between the limbs of the spring arms.
5. Push the product the rest up the way up until it snaps into place. The tension of the spring arms will hold the product flush to the ceiling or overhead surface until it is intentionally removed.



Menu Map

Access the LQGIC AR111 Downlight M menu through the LQGIC Drive 2X **Linked Fixtures** menu. Refer to the LQGIC AR111 Downlight M and LQGIC Drive 2X product pages on www.iluminarc.com for the latest menu maps.

Main Level	Programming Levels		Description
Dmx Address	001–512		Selects DMX address
Personality	RED		1-channel: dimmer (red only)
	GREEN		1-channel: dimmer (green only)
	BLUE		1-channel: dimmer (blue only)
	WHITE		1-channel: dimmer (white only)
	TW		2-channel, Tunable White: dimmer, color temperature
	RGB		3-channel: RGB control
	RGBW		4-channel: RGBW control
	RGBW+D		5-channel: dimmer, RGBW control
Network	Net Switch	2.X.X.X	Selects the first value of the IP address
		10.X.X.X	
	Universe	000–255 / 001–256 (Art-Net™) (sACN)	Selects universe
Information	Version	V _ _ _	Shows current firmware version
	IP Address	_ _ _ . _ _ _ . _ _ _ . _ _ _	Shows the IP address
	Fixture Hours	_ hours	Shows length of time product has been on
	Label	_ _ _ _ _ _ _ _	Shows product label
	Device UID	_ _ _ _ _ _ - _ _ _ _ _	Shows device UID
	MAC Address	_ _ _ _ _ _ : _ _ _ _ _ _	Shows the MAC address
	Temperature	_ _ _ °C	Shows the current temperature in °C
Factory Reset	No		Resets to factory default settings
	Yes		

RDM Chart

Refer to the LQGIC AR111 Downlight M product page on www.iluminarc.com for the latest RDM chart.

GET	SET	Category	RDM Parameter IDs (Slot 21-22)	Value	Required	Detail
		Network Management	DISC_UNIQUE_BRANCH	0x0001	✓	
			DISC_MUTE	0x0002	✓	
			DISC_UN_MUTE	0x0003	✓	
✓		RDM Information	QUEUED_MESSAGE	0x0020		
✓			SUPPORTED_PARAMETERS	0x0050	✓	IDENTIFY_DEVICE, DEVICE_INFO, SOFTWARE_VERSION_LABEL, SUPPORTED_PARAMETERS, DMX_START_ADDRESS, DEVICE_MODEL_DESCRIPTION, MANUFACTURER_LABEL, DEVICE_LABEL, DMX_PERSONALITY, PERSONALITY_DESCRIPTION, SENSOR_DEFINITION, SENSOR_VALUE
✓			PARAMETER_DESCRIPTION	0x0051	✓	
✓		Product Information	DEVICE_INFO	0x0060	✓	1, RDM Protocol Version: V1.0; 2, Device_Mode_ID: 0x1737; 3, Product Category Defines: PRODUCT_CATEGORY_FIXTURE_FIXED; 4, Software Version ID; 5, DMX512 Footprint; 6, DMX512 Personality; 7, DMX512 Start Address; 8, Sensor Count;
			PRODUCT_DETAIL_ID_LIST	0x0070		
✓			DEVICE_MODEL_DESCRIPTION	0x0080		LOGICAR111DNM
✓			MANUFACTURER_LABEL	0x0081		ILUMINARC
✓	✓		DEVICE_LABEL	0x0082		LOGICAR111DNM
✓			SOFTWARE_VERSION_LABEL	0x00C0	✓	V._.
✓	✓		FACTORY_DEFAULTS			FACTORY_DEFAULTS : yes
✓	✓	DMX Setup	DMX_PERSONALITY	0x00E0		9pcs persons
✓			DMX_PERSONALITY_DESCRIPTION	0x00E1		RED/1CH, GREEN/1CH, BLUE/1CH, WHITE/1CH, TW/2CH, RGB/3CH, RGBW/4CH, RGBW+D/5CH, FULL/10CH
✓	✓		DMX_START_ADDRESS	0x00F0	✓	1-503
✓		Sensors	SENSOR_DEFINITION	0x0200		0.) Product Temperature __ °C
✓			SENSOR_VALUE	0x0201		—20° —100°
✓	✓	Control	IDENTIFY_DEVICE	0x1000	✓	Identify State: Off

QUICK REFERENCE GUIDE

ILUMINARC

EN

DMX Values

FULL (10 Channels)

Channel	Function	Value	Percent/Setting
1	Dimmer	000 ⇔ 255	0–100%
2	Red	000 ⇔ 255	0–100%
3	Green	000 ⇔ 255	0–100%
4	Blue	000 ⇔ 255	0–100%
5	White	000 ⇔ 255	0–100%
6	Color temperature	000 ⇔ 010	No function
		011 ⇔ 020	1800K
		021 ⇔ 030	2200K
		031 ⇔ 040	2700K
		041 ⇔ 050	3000K
		051 ⇔ 060	3200K
		061 ⇔ 070	4000K
		071 ⇔ 080	4500K
		081 ⇔ 090	5000K
		091 ⇔ 100	5600K
		101 ⇔ 110	6000K
		111 ⇔ 120	6500K
		121 ⇔ 130	7000K
		131 ⇔ 140	8000K
		141 ⇔ 150	10000K
151 ⇔ 255	No function		
7	Strobe	000 ⇔ 009	No function
		010 ⇔ 099	Strobe, 0–25 Hz
		100 ⇔ 109	No function
		110 ⇔ 179	Lightning strobe, slow to fast
		180 ⇔ 189	No function
		190 ⇔ 255	Random strobe, slow to fast
8	Auto programs	000 ⇔ 040	No function
		041 ⇔ 050	Automatic program 1
		051 ⇔ 060	Automatic program 2
		061 ⇔ 070	Automatic program 3
		071 ⇔ 080	Automatic program 4
		081 ⇔ 090	Automatic program 5
		091 ⇔ 100	Automatic program 6
		101 ⇔ 110	Automatic program 7
		111 ⇔ 120	Automatic program 8
		121 ⇔ 130	Automatic program 9
		131 ⇔ 140	Automatic program 10
141 ⇔ 255	No function		
9	Auto program speed	000 ⇔ 255	Automatic program speed, slow to fast
10	Dimmer speed	000 ⇔ 009	No function
		010 ⇔ 129	Dimmer curve on
		130 ⇔ 255	Dimmer curve off

QUICK REFERENCE GUIDE

EN

ILUMINARC

RGBW+D (5 Channels)

Channel	Function	Value	Percent/Setting
1	Dimmer	000 ⇔ 255	0–100%
2	Red	000 ⇔ 255	0–100%
3	Green	000 ⇔ 255	0–100%
4	Blue	000 ⇔ 255	0–100%
5	White	000 ⇔ 255	0–100%

RGBW (4 Channels)

Channel	Function	Value	Percent/Setting
1	Red	000 ⇔ 255	0–100%
2	Green	000 ⇔ 255	0–100%
3	Blue	000 ⇔ 255	0–100%
4	White	000 ⇔ 255	0–100%

RGB (3 Channels)

Channel	Function	Value	Percent/Setting
1	Red	000 ⇔ 255	0–100%
2	Green	000 ⇔ 255	0–100%
3	Blue	000 ⇔ 255	0–100%

TW (Tunable White: 2 Channels)

Channel	Function	Value	Percent/Setting
1	Dimmer	000 ⇔ 255	0–100%
2	Color temperature	000 ⇔ 010	No function
		011 ⇔ 020	1800K
		021 ⇔ 030	2200K
		031 ⇔ 040	2700K
		041 ⇔ 050	3000K
		051 ⇔ 060	3200K
		061 ⇔ 070	4000K
		071 ⇔ 080	4500K
		081 ⇔ 090	5000K
		091 ⇔ 100	5600K
		101 ⇔ 110	6000K
		111 ⇔ 120	6500K
		121 ⇔ 130	7000K
		131 ⇔ 140	8000K
		141 ⇔ 150	10000K
151 ⇔ 255	No function		

WHITE (1 Channel)

Channel	Function	Value	Percent/Setting
1	Dimmer	000 ⇔ 255	White only, 0–100%

BLUE (1 Channel)

Channel	Function	Value	Percent/Setting
1	Dimmer	000 ⇔ 255	Blue only, 0–100%

GREEN (1 Channel)

Channel	Function	Value	Percent/Setting
1	Dimmer	000 ⇔ 255	Green only, 0–100%

QUICK REFERENCE GUIDE

ILUMINARC

EN

RED (1 Channel)

Channel	Function	Value	Percent/Setting
1	Dimmer	000 ⇔ 255	Red only, 0–100%

Technical Specifications

Dimensions and Weight

Product	Length	Width	Height	Weight
LQIC AR111 Downlight M	6.7 in (178 mm)	6.7 in (178 mm)	11.51 in (188.6 mm)	2.38 lb (1.08 kg)
LQIC AR111 TRIM	6.65 in (169 mm)	6.65 in (169 mm)	1.33 in (33.8 mm)	5.5 oz (156 g)
LQIC AR111 HF	3.72 in (94.5 mm)	3.72 in (94.5 mm)	0.57 in (14.5 mm)	1.2 oz (34 g)

Note: Dimensions in inches are rounded.

Power

Power Source	Input Voltage	Voltage Selection
Power Over Ethernet	52-56 VDC	Fixed
Single Fixture Power	Total Linking Power per Port/POEI	Power Linking
27 W via POE	81 W via POE	3 products per port/POE injector
Power I/O	U.S./Worldwide	UK/Europe
Power input connector	Ethernet RJ45	Ethernet RJ45
Power output connector	Ethernet RJ45	Ethernet RJ45
Cable type (required)	CAT6	CAT6

Light Source

Type	Color	Quantity	Power	Current	Lifespan
LED	RGBW	1	45 W	17.5 A	50,000 hours

Photometrics

Filter	Beam Angle	Field Angle	Cutoff Angle	Illuminance @ 5 m
Open optics	11.4°	26°	55.8°	387 lux
Medium (pre-installed)	49.5°	95.3°	124.5°	41 lux
Medium w/HF	31°	62.1°	86.5°	42 lux
Wide (included)	60.4°	111.2°	138.3°	30 lux
Wide w/HF	32.6°	65.7°	101.7°	33 lux

Cabling

Total Max Cable Length (Fixture to Fixture)	Cable Diameter Range Less than 50 ft (15 m)	Cable Diameter Range 50-328 ft (15-100 m)
328 ft (100 m)	23-24 AWG (shielded or unshielded)	23 AWG (shielded)

Thermal

Ambient Temperature Range	Cooling
-4 °F to 113 °F (-20 °C to 45 °C)	Convection

Ordering

Product Name	Item Name	Item Code	UPC Number
LQIC AR111 Downlight M	LOGICAR111DNM	1541737	781462220853
LQIC AR111 TRIM	LOGICAR111TRIM	1541819	781462221676
LQIC AR111 HF	LOGICAR111HF	1651833	781462221812

Acerca de Esta Guía

La Guía de Referencia Rápida (GRR) del LQGIC AR111 Downlight M contiene información sobre el producto, como montaje, opciones de menú y valores DMX. Descargue el Manual de Usuario del LQGIC Drive 2X de www.iluminarc.com para información más detallada.

Exención de Responsabilidad

La información y especificaciones contenidas en esta GRR están sujetas a cambio sin previo aviso.

GARANTÍA LIMITADA

PARA VER EL REGISTRO DE GARANTÍA Y LOS TÉRMINOS Y CONDICIONES COMPLETOS, VISITE NUESTRO SITIO WEB.

Para clientes en los Estados Unidos y México: www.iluminarc.com/warranty-registration-architectural-lighting.

Para clientes en Reino Unido, República de Irlanda, Bélgica, Países Bajos, Luxemburgo, Francia y Alemania: www.iluminarc.com/warranty-registration-architectural-lighting.

Chauvet garantiza que este producto estará libre de defectos de material y mano de obra en condiciones de uso normales, durante el periodo especificado, sujeto siempre a las exclusiones y limitaciones establecidas en la garantía limitada completa de nuestro sitio web. Esta garantía se concede únicamente al comprador original del producto y no es transferible. Para ejercer los derechos que otorga esta garantía, usted debe proporcionar una prueba de compra en forma de un recibo de compra original, expedido por un distribuidor autorizado, donde figure el nombre del producto y la fecha de compra. NO EXISTEN OTRAS GARANTÍAS EXPRESAS NI IMPLÍCITAS. Esta garantía le otorga derechos legales específicos. Es posible que a usted le asistan otros derechos, que variarán dependiendo del estado o del país. Esta garantía solamente es válida en los Estados Unidos, Reino Unido, República de Irlanda, Bélgica, Países Bajos, Luxemburgo, Francia, Alemania y México. Para conocer los términos de garantía en otros países, consulte a su distribuidor local.

Notas de Seguridad

- La luminaria debe colocarse de forma que no sea previsible que se mire fijamente hacia ella a una distancia menor de 3,3' (1 m).
- Si se daña el cable externo flexible de esta luminaria, se sustituirá con un cable especial o con un cable disponible exclusivamente a través del fabricante o de su agente de servicio técnico.
- Solo el fabricante, su agente de servicio o un técnico de similar cualificación podrán reemplazar la fuente de luz contenida en esta luminaria.
- La luminaria está destinada exclusivamente a un uso profesional.
- NO abra este producto. No contiene piezas reparables por el usuario.
- NO mire a la fuente de luz cuando el producto esté encendido.
- No utilice este producto en una luminaria existente.
- Para evitar un desgaste innecesario y alargar su vida útil, desconecte complemente el producto de la alimentación, mediante el interruptor o desenchufándolo, durante los periodos en los que no se use.
- Cuidado: cuando transfiera el producto desde ambientes con temperatura extrema (p. ej., del remolque frío de un camión a una sala de baile con calor y humedad), puede formarse condensación en la electrónica interna del producto. Para evitar que se produzca una avería, deje que el producto se aclimate completamente al ambiente antes de conectar la alimentación.
- CUIDADO: La carcasa de este producto está caliente cuando las luces están en funcionamiento.
- Monte este producto en una ubicación con ventilación adecuada, al menos a 20" (50 cm) de superficies adyacentes.
- NO deje ningún material inflamable a menos de 11.8" (30 cm) de este producto mientras esté funcionando o conectado a la alimentación.
- USE un cable de seguridad cuando monte este producto en lo alto.
- NO ponga en funcionamiento este producto en el exterior o en cualquier ubicación en la que el polvo, calor excesivo, agua o humedad puedan afectarlo. (IP20)
- NO ponga en funcionamiento este producto si sospecha que la carcasa, lentes o cables están dañados.
- NO conecte este producto a un atenuador o reostato.
- Conecte este producto a un equipo con fuente de alimentación (PSE) PoE IEEE 802.3bt.
- En caso de un problema grave de funcionamiento, deje de usarlo inmediatamente.
- El rango de temperatura de inicio es de -4 °F a 113 °F (-20 °C a 45 °C). No inicie el producto fuera de este rango.
- El rango de temperatura de funcionamiento es de -40 °F a 113 °F (-40 °C a 45 °C). No utilice el producto fuera de este rango.
- El rango de temperatura de almacenamiento es de -40 °F a 167 °F (-40 °C a 75 °C). No almacene el producto fuera de este rango.

Cumplimiento de la FCC

Este dispositivo cumple la parte 15, parte B de las normas FCC. El funcionamiento está supeditado al cumplimiento de estas dos condiciones:

1. Este dispositivo no puede causar interferencias perjudiciales; y
2. Este dispositivo debe aceptar cualquier interferencia recibida, incluyendo las interferencias que puedan causar un funcionamiento no deseado.

Cualquier cambio o modificación que no haya sido expresamente autorizado por la parte responsable de conformidad puede anular la potestad del usuario para hacer funcionar el equipo.

Contacto

Fuera de EE. UU., Reino Unido, Irlanda, Benelux, Francia, Alemania o México póngase en contacto con su distribuidor para solicitar asistencia o devolver un producto. Consulte [Contact Us](#) al final de este GRR para información de contacto.

Qué va Incluido

- LQGIC AR111 Downlight M
- Filtros medio y ancho
- Soporte para charles
- Soporte en suspensión para colgar
- Accesorio de anillo embellecedor
- Guía de Referencia Rápida

Alimentación CC

Este producto recibe la alimentación del LQGIC Drive 2X a través de una conexión CAT6 de 52 V CC. Descargue el manual de usuario del LQGIC Drive 2X de www.iluminarc.com para una información más detallada.

Alimentación en cadena

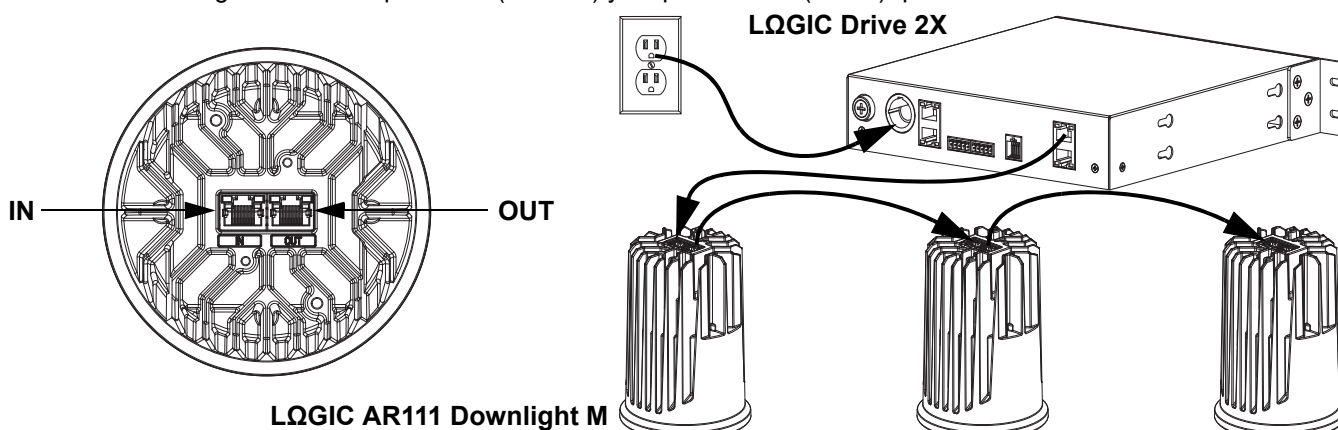
Es posible enlazar hasta 3 productos LQGIC AR111 Downlight M desde una salida del LQGIC Drive 2X.

Enlace de señal

El LQGIC AR111 Downlight M recibirá una señal de control (DMX, RDM, Art-Net™ o sACN) del LQGIC Drive 2X a través de una conexión CAT6.

Conexión y cableado

El LQGIC AR111 Downlight M tiene un puerto IN (entrada) y un puerto OUT (salida) que necesita conexiones Ethernet CAT6.



Los cables cortos, como los que van por el tubo de cable de un charles, pueden tener un calibre menor, pero cualquier cable más largo de 50' (15 m) debe ser 23 AWG y apantallado; si no, es posible que los productos no reciban alimentación suficiente.

Requisitos del cable: Calibre máx./mín. de 4 pares trenzados 23/28 AWG CAT6.

- Para distancias menores de 50' (15 m): 23-28 AWG (apantallado o no apantallado)
- Para distancias de 50-328' (15-100 m): 23 AWG (apantallado)

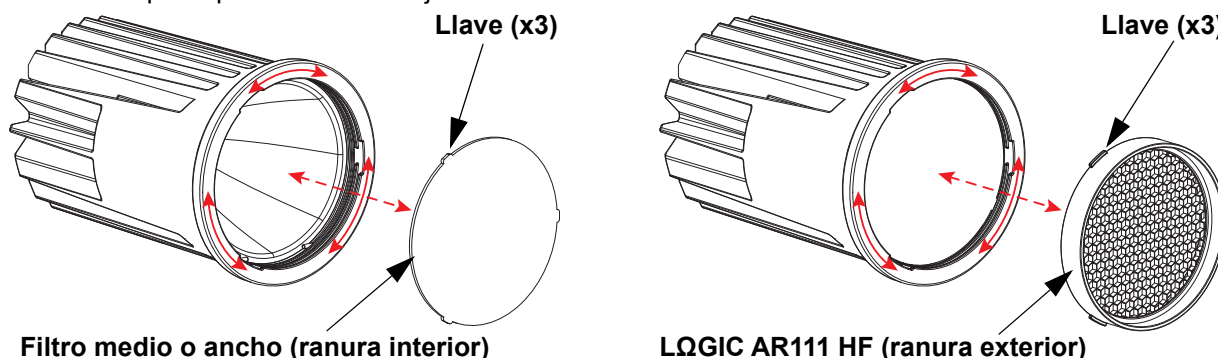


El diámetro de los tubos de cable en los charles requiere un diámetro de cable CAT6 más reducido, como los cables de conexión Ethernet Monoprice Slimrun CAT6, trenzados 550 MHz, UTP, con hilo de cobre sin aislamiento, 28 AWG.

Filtros

El LQGIC AR111 Downlight M dispone de 2 ranuras de filtro.

- La ranura de filtro interior sirve para el filtro de medio (preinstalado) o para el filtro de ancho (incluido).
- La ranura de filtro exterior sirve para el LQGIC AR111 HF (filtro aplanado, vendido por separado por Iluminarc).
- Para quitar el filtro instalado, gírelo hasta que las llaves del borde estén alineadas con las aberturas de la ranura.
- Para instalar un filtro en una ranura vacía, alinee las llaves del borde con las aberturas de la ranura, e inserte. Gire el filtro para que las llaves se fijen.



Filtro medio o ancho (ranura interior)

LQGIC AR111 HF (ranura exterior)

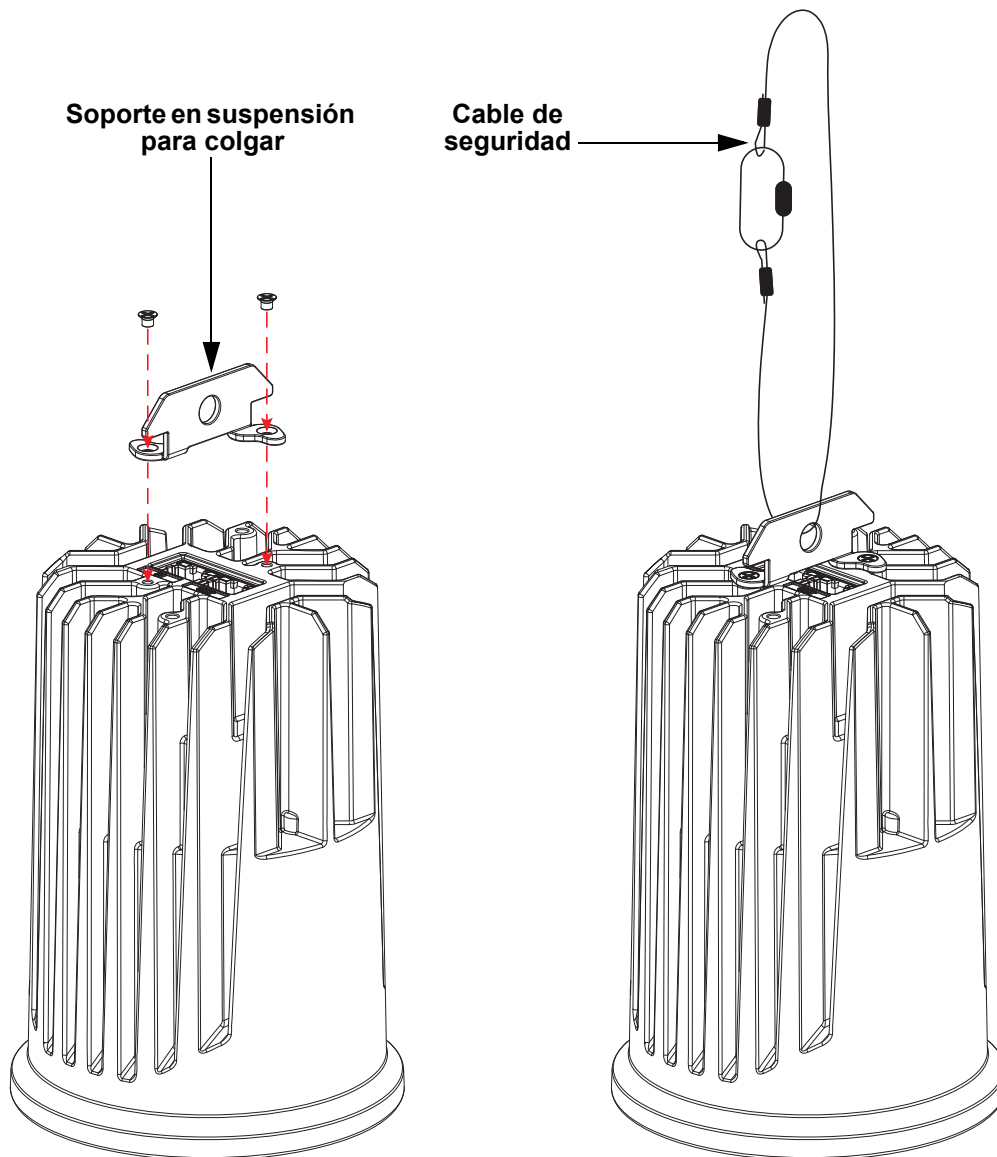


No gire el filtro más de 60°; si no, es posible que no quede bien sujeto.

Montaje

Antes de montar este producto, lea las [Notas de Seguridad](#).

Montaje en suspensión



Preparación del charles

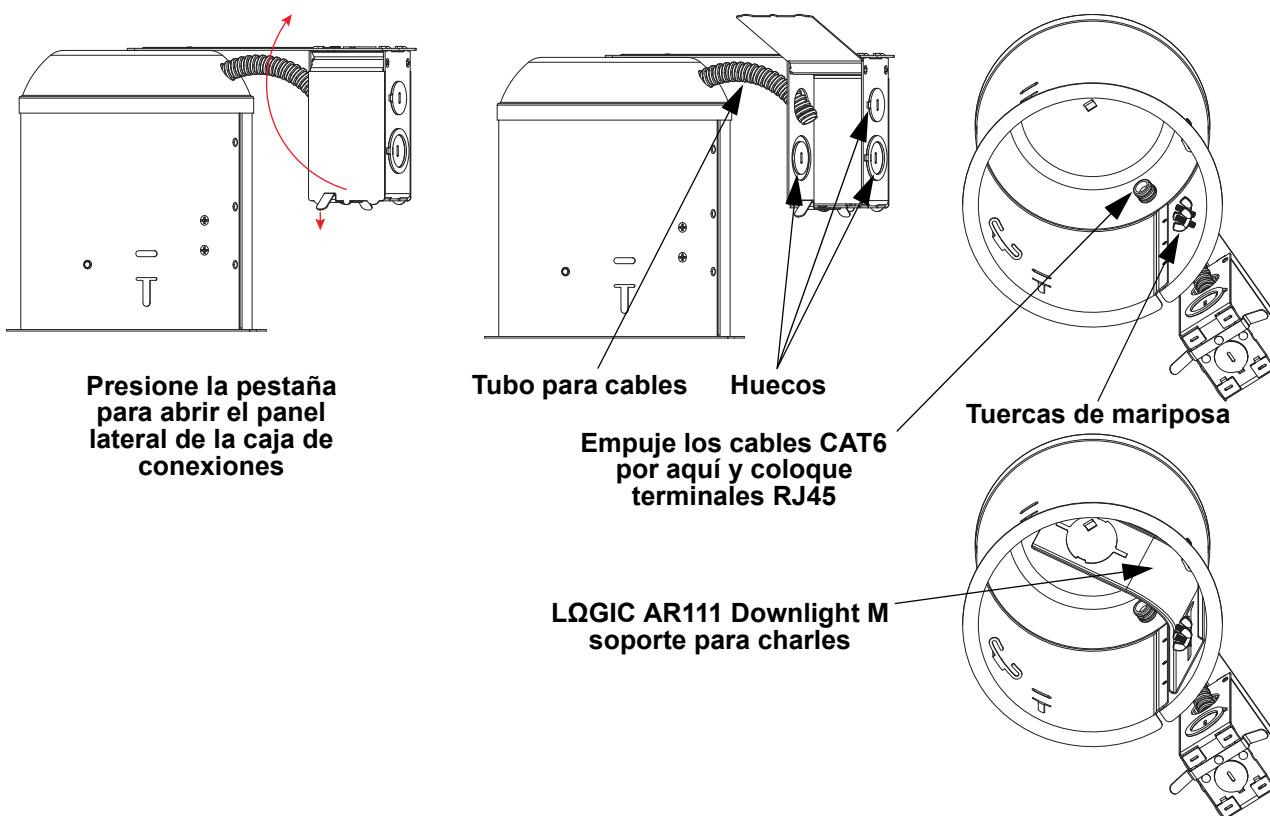
El LQGIC AR111 Downlight M viene con un soporte para charles para montarlo en la estructura de un charles. Antes de montar este producto en la estructura de un charles, lea las [Notas de Seguridad](#).

1. Retire completamente el cable de alimentación CA de la caja de conexiones y utilice un destornillador plano o unos alicates para abrir el hueco para los cables de CAT6.
2. Pase 2 cables CAT6 sin terminación a través del hueco y del tubo para cables, y termínelos con un conector RJ45 en el otro extremo.



El diámetro de los tubos de cable en los charles requiere un diámetro de cable CAT6 más reducido, como los cables de conexión Ethernet Monoprice Slimrun CAT6, trenzados 550 MHz, UTP, con hilo de cobre sin aislamiento, 28 AWG.

3. Retire el soporte que viene con el charles, reservando algunas tuercas de mariposa para el siguiente paso.
4. Instale el soporte para charles que venía con el LQGIC AR111 Downlight M usando las tuercas de mariposa del paso anterior. Este soporte está diseñado para sustituir al que viene con el charles.



Presione la pestaña para abrir el panel lateral de la caja de conexiones

Tubo para cables Huecos

Empuje los cables CAT6 por aquí y coloque terminales RJ45

Tuercas de mariposa

LQGIC AR111 Downlight M soporte para charles

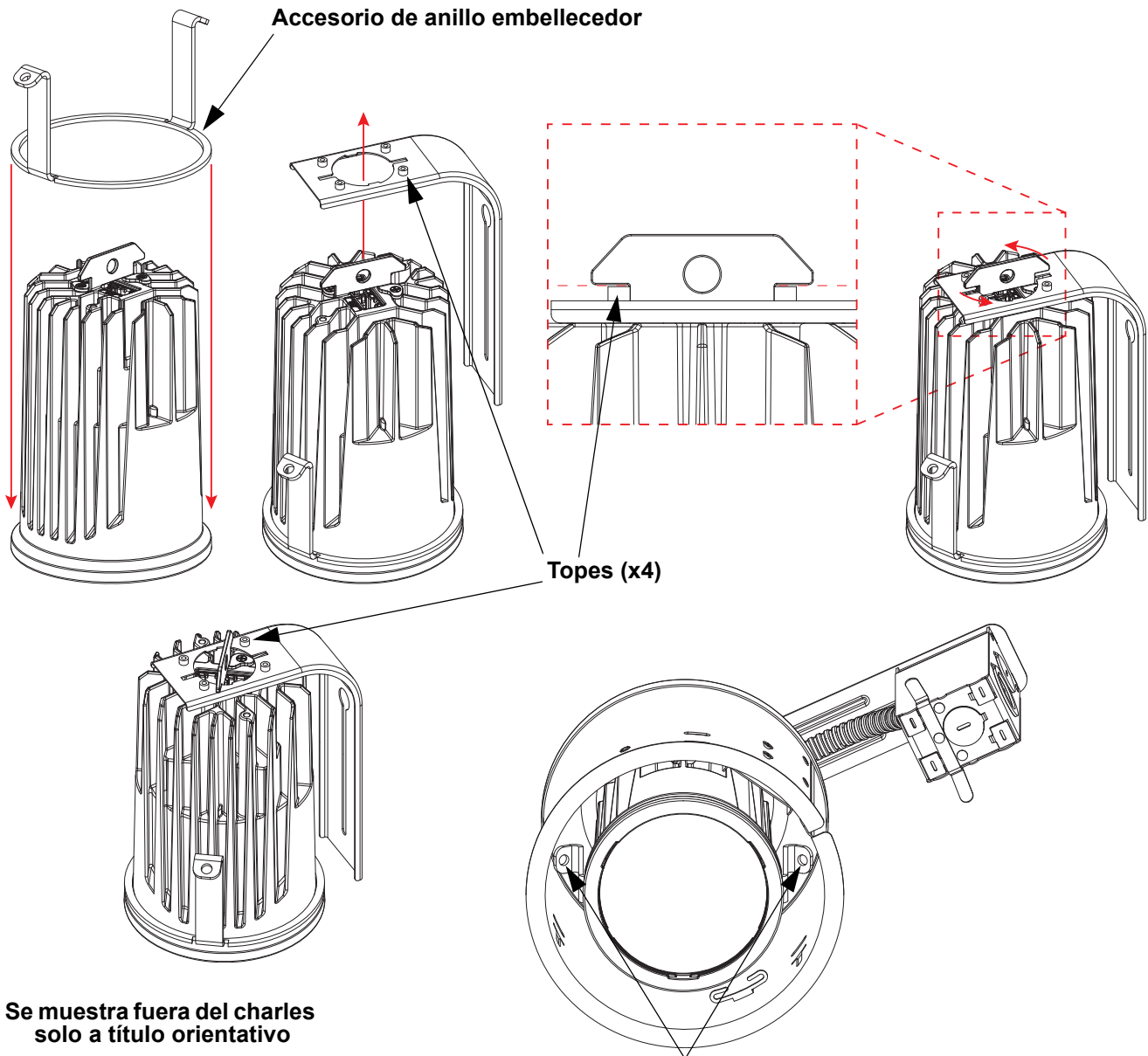


Observe todos los códigos y normativas locales cuando instale charles y cableado en altura.

Montaje del charles

Para montar el LQGIC AR111 Downlight M en la estructura del charles preparada:

1. Instale el soporte en suspensión para colgar en el producto (consulte [Montaje en suspensión](#)).
2. Coloque el accesorio de anillo embellecedor en del producto desde arriba.
3. Conecte los cables CAT6 que ha pasado por el tubo para cables del charles. Asegúrese de conectar bien los cables de entrada y salida a los puertos correctos.
4. Inserte el producto de forma que el soporte en suspensión pase por el soporte para charles y supere los topes.
5. Gire el producto y bájelo de forma que el soporte en suspensión se apoye entre los topes y el soporte para charles.
6. Acople los resortes del anillo embellecedor (no se muestra) a los postes del accesorio de anillo embellecedor.

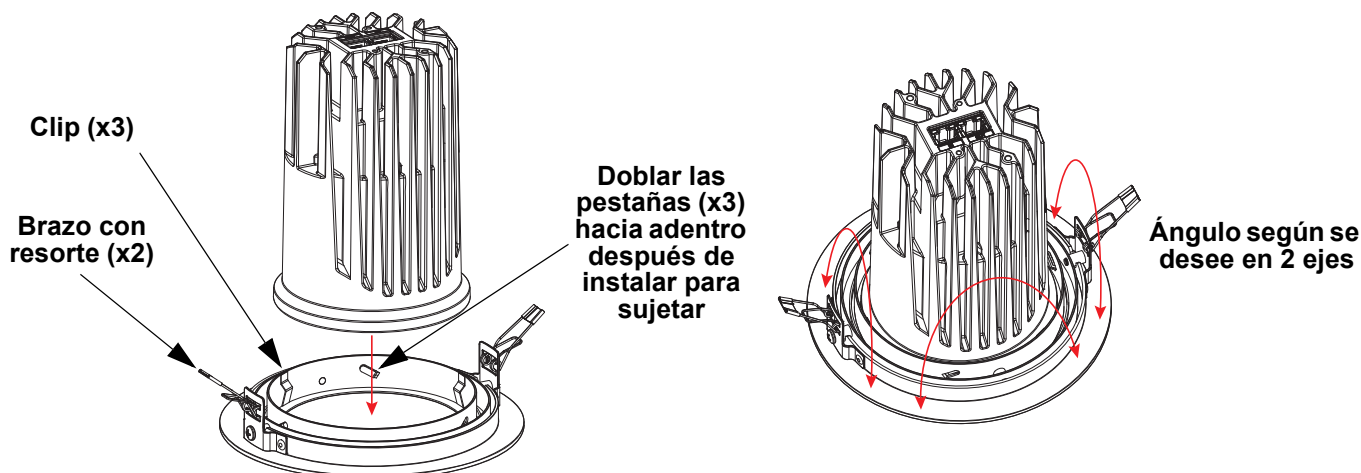


Acople los resortes del anillo embellecedor (no se muestra) a los postes del accesorio de anillo embellecedor

Instalación del LQGIC AR111 TRIM

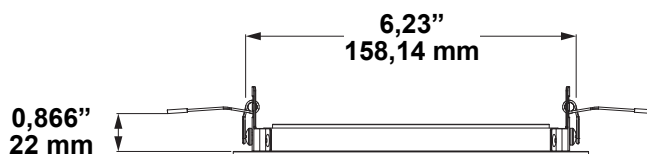
El LQGIC AR111 TRIM (vendido por separado por Iluminarc) puede utilizarse para montar el LQGIC AR111 Downlight M a ras de techo o de una superficie en altura. Para acoplar el LQGIC AR111 TRIM al LQGIC AR111 Downlight M, inserte el LQGIC AR111 Downlight M en la abertura superior del LQGIC AR111 TRIM hasta que encaje en su sitio. Doble las pestañas hacia adentro después de instalarlo para que quede sujeto.

Para quitar el LQGIC AR111 TRIM, doble las pestañas hasta sus posiciones originales, apriete uno de los clips hacia abajo y tire del LQGIC AR111 Downlight M en dirección contraria hasta que se suelte.



Montaje con LQGIC AR111 TRIM

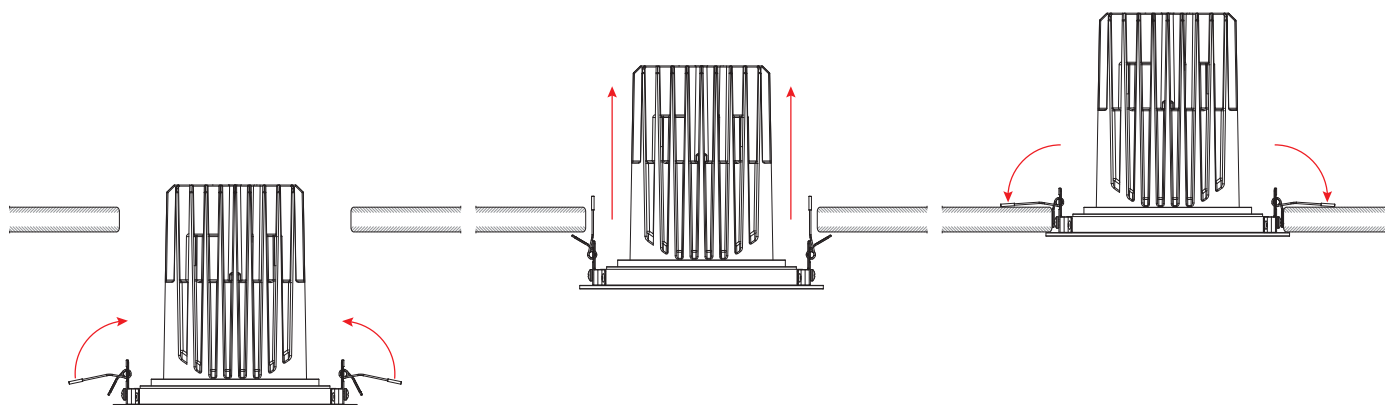
Antes de montar este producto con el LQGIC AR111 TRIM, lea las [Notas de Seguridad](#).



- El máximo grosor de techo que admite el LQGIC AR111 TRIM es de 22 mm (0,866").
- El LQGIC AR111 TRIM cabe en un orificio con un diámetro de 158,14 mm (6,23").

Para montar el LQGIC AR111 Downlight M con el LQGIC AR111 TRIM acoplado, haga lo siguiente:

1. Corte un agujero de 158,14 mm (6,23") en el techo o superficie en altura que vaya a utilizar.
2. Pase todos los cables necesarios por ese agujero y conecte el LQGIC AR111 Downlight M antes de montarlo.
3. Mantenga presionados los brazos con resorte hacia arriba y hacia adentro del LQGIC AR111 TRIM.
4. Inserte el LQGIC AR111 Downlight M en el agujero hasta que los bordes de este estén entre las patas de los brazos con resorte.
5. Empuje el producto hacia arriba el resto del recorrido hasta que encaje en su sitio. La tensión de los brazos con resorte mantendrá el producto a ras de suelo o de la superficie en altura hasta que se quiera retirarlo.



Mapa de Menú

Acceda al menú del LQGIC AR111 Downlight M a través del menú **Linked Fixtures** del LQGIC Drive 2X.

Consulte la páginas del productos LQGIC AR111 Downlight M y LQGIC Drive 2Xen www.iluminarc.com para ver el último mapa de menú.

Nivel Principal	Niveles de Programación		Descripción
Dmx Address	001–512		Selecciona la dirección DMX
Personality	RED		1 canal: atenuador (solo roja)
	GREEN		1 canal: atenuador (solo verde)
	BLUE		1 canal: atenuador (solo azul)
	WHITE		1 canal: atenuador (solo blanco)
	TW		2 canales, blanco ajustable: atenuador, temperatura de color
	RGB		3 canales: control RGB
	RGBW		4 canales: control RGBW
	RGBW+D		5 canales: atenuador, control RGBW
Network	Net Switch	2.X.X.X	Selecciona el primer valor de la dirección IP
		10.X.X.X	
	Universe	000–255 / 001–256 (Art-Net™) (sACN)	
Local Info	Version	V _._ _	Muestra instalada la versión de firmware
	IP Address	_._._. _._._	Muestra la dirección IP
	Fixture Hours	_ hours	Muestra el nombre total de las horas del producto
	Label	_ _ _ _ _	Muestra la etiqueta del producto
	Device UID	_ _ _ _ _ - _ _ _ _ _	Muestra la UID del producto
	MAC Address	_ _ _ _ _ . _ _ _ _ . _ _ _ _	Muestra la dirección MAC
Factory Reset	No		Restablece a la configuración predeterminada de fábrica
	Yes		

Gráfico RDM

Consulte la página del producto LQIGC AR111 Downlight M en www.iluminarc.com para ver el último gráfico RDM.

GET	SET	Categoría	ID de parámetros RDM (Ranura 21-22)	Valor	Requerido	Detalle
		Network Management	DISC_UNIQUE_BRANCH	0x0001	✓	
			DISC_MUTE	0x0002	✓	
			DISC_UN_MUTE	0x0003	✓	
✓		RDM Information	QUEUED_MESSAGE	0x0020		
✓			SUPPORTED_PARAMETERS	0x0050	✓	IDENTIFY_DEVICE, DEVICE_INFO, SOFTWARE_VERSION_LABEL, SUPPORTED_PARAMETERS, DMX_START_ADDRESS, DEVICE_MODEL_DESCRIPTION, MANUFACTURER_LABEL, DEVICE_LABEL, DMX_PERSONALITY, PERSONALITY_DESCRIPTION, SENSOR_DEFINITION, SENSOR_VALUE
✓			PARAMETER_DESCRIPTION	0x0051	✓	
✓		Product Information	DEVICE_INFO	0x0060	✓	1, RDM Protocol Version: V1.0; 2, Device_Mode_ID: 0x1737; 3, Product Category Defines: PRODUCT_CATEGORY_FIXTURE_FIXED; 4, Software Version ID; 5, DMX512 Footprint; 6, DMX512 Personality; 7, DMX512 Start Address; 8, Sensor Count;
			PRODUCT_DETAIL_ID_LIST	0x0070		
✓			DEVICE_MODEL_DESCRIPTION	0x0080		LOGICAR111DNM
✓			MANUFACTURER_LABEL	0x0081		ILUMINARC
✓	✓		DEVICE_LABEL	0x0082		LOGICAR111DNM
✓			SOFTWARE_VERSION_LABEL	0x00C0	✓	V_ _
✓	✓		FACTORY_DEFAULTS			FACTORY_DEFAULTS : yes
✓	✓	DMX Setup	DMX_PERSONALITY	0x00E0		9pcs persons
✓			DMX_PERSONALITY_DESCRIPTION	0x00E1		RED/1CH, GREEN/1CH, BLUE/1CH, WHITE/1CH, TW/2CH, RGB/3CH, RGBW/4CH, RGBW+D/5CH, FULL/10CH
✓	✓		DMX_START_ADDRESS	0x00F0	✓	1-503
✓		Sensors	SENSOR_DEFINITION	0x0200		0.) Product Temperature _ _ °C
✓			SENSOR_VALUE	0x0201		—20° —100°
✓	✓	Control	IDENTIFY_DEVICE	0x1000	✓	Identify State: Off

Valores DMX

FULL (10 canales)

Canal	Función	Valor	Porcentaje/Configuración
1	Atenuador	000 ⇔ 255	0–100%
2	Rojo	000 ⇔ 255	0–100%
3	Verde	000 ⇔ 255	0–100%
4	Azul	000 ⇔ 255	0–100%
5	Blanco	000 ⇔ 255	0–100%
6	Temperatura de color	000 ⇔ 010	Sin función
		011 ⇔ 020	1800K
		021 ⇔ 030	2200K
		031 ⇔ 040	2700K
		041 ⇔ 050	3000K
		051 ⇔ 060	3200K
		061 ⇔ 070	4000K
		071 ⇔ 080	4500K
		081 ⇔ 090	5000K
		091 ⇔ 100	5600K
		101 ⇔ 110	6000K
		111 ⇔ 120	6500K
		121 ⇔ 130	7000K
		131 ⇔ 140	8000K
141 ⇔ 150	10000K		
151 ⇔ 255	Sin función		
7	Estroboscopio	000 ⇔ 009	Sin función
		010 ⇔ 099	Estroboscopio, 0–25 Hz
		100 ⇔ 109	Sin función
		110 ⇔ 179	Estroboscopio relámpago, lento a rápido
		180 ⇔ 189	Sin función
		190 ⇔ 255	Estroboscopio aleatorio, lento a rápido
8	Programas automáticos	000 ⇔ 040	Sin función
		041 ⇔ 050	Programa automático 1
		051 ⇔ 060	Programa automático 2
		061 ⇔ 070	Programa automático 3
		071 ⇔ 080	Programa automático 4
		081 ⇔ 090	Programa automático 5
		091 ⇔ 100	Programa automático 6
		101 ⇔ 110	Programa automático 7
		111 ⇔ 120	Programa automático 8
		121 ⇔ 130	Programa automático 9
		131 ⇔ 140	Programa automático 10
141 ⇔ 255	Sin función		
9	Velocidad de programa	000 ⇔ 255	Velocidad de programa automático, lento a rápido
10	Velocidad de atenuador	000 ⇔ 009	Sin función
		010 ⇔ 129	Activación de la curva del atenuador
		130 ⇔ 255	Desactivación de la curva del atenuador

RGBW+D (5 canales)

Canal	Función	Valor	Porcentaje/Configuración
1	Atenuador	000 ⇔ 255	0–100%
2	Rojo	000 ⇔ 255	0–100%
3	Verde	000 ⇔ 255	0–100%
4	Azul	000 ⇔ 255	0–100%
5	Blanco	000 ⇔ 255	0–100%

RGBW (4 canales)

Canal	Función	Valor	Porcentaje/Configuración
1	Rojo	000 ⇔ 255	0–100%
2	Verde	000 ⇔ 255	0–100%
3	Azul	000 ⇔ 255	0–100%
4	Blanco	000 ⇔ 255	0–100%

RGB (3 canales)

Canal	Función	Valor	Porcentaje/Configuración
1	Rojo	000 ⇔ 255	0–100%
2	Verde	000 ⇔ 255	0–100%
3	Azul	000 ⇔ 255	0–100%

TW (Blanco ajustable: 2 canales)

Canal	Función	Valor	Porcentaje/Configuración
1	Atenuador	000 ⇔ 255	0–100%
2	Temperatura de color	000 ⇔ 010	Sin función
		011 ⇔ 020	1800K
		021 ⇔ 030	2200K
		031 ⇔ 040	2700K
		041 ⇔ 050	3000K
		051 ⇔ 060	3200K
		061 ⇔ 070	4000K
		071 ⇔ 080	4500K
		081 ⇔ 090	5000K
		091 ⇔ 100	5600K
		101 ⇔ 110	6000K
		111 ⇔ 120	6500K
		121 ⇔ 130	7000K
		131 ⇔ 140	8000K
		141 ⇔ 150	10000K
		151 ⇔ 255	Sin función

WHITE (Blanco, 1 canal)

Canal	Función	Valor	Porcentaje/Configuración
1	Atenuador	000 ⇔ 255	Solo blanco, 0–100%

BLUE (Azul, 1 canal)

Canal	Función	Valor	Porcentaje/Configuración
1	Atenuador	000 ⇔ 255	Solo azul, 0–100%

GREEN (Verde, 1 canal)

Canal	Función	Valor	Porcentaje/Configuración
1	Atenuador	000 ⇔ 255	Solo verde, 0–100%

RED (Rojo, 1 canal)

Canal	Función	Valor	Porcentaje/Configuración
1	Atenuador	000 ⇔ 255	Solo rojo, 0–100%

Especificaciones Técnicas

Dimensiones y Peso

Producto	Longitud	Anchura	Altura	Peso
LQIGIC AR111 Downlight M	178 mm (6,7")	178 mm (6,7")	188,6 mm (11,51")	1,08 kg (2,38 lb)
LQIGIC AR111 TRIM	169 mm (6,65")	169 mm (6,65")	33,8 mm (1,33")	156 g (5,5 oz)
LQIGIC AR111 HF	94,5 mm (3,72")	94,5 mm (3,72")	14,5 mm (0,57")	34 g (1,2 oz)

Nota: las dimensiones en pulgadas están redondeadas.

Alimentación

Fuente de Alimentación	Tensión de entrada	Selección de Tensión
Alimentación a través de Ethernet	52-56 VCC	Fije

Alimentación de un solo dispositivo	Potencia de enlace total por puerto	Alimentación en cadena
27 W a través de POE	81 W a través de POE	3 productos por puerto/injector POE

E/S alimentación	US/Mundial	UK/Europa
Conector de entrada de alimentación	Ethernet RJ45	Ethernet RJ45
Conector de salida de alimentación	Ethernet RJ45	Ethernet RJ45
Tipo de cable (requerido)	CAT6	CAT6

Fuente de luz

Tipo	Color	Cantidad	Potencia	Corriente	Vida útil
LED	RGBW	1	45 W	17,5 A	50.000 horas

Photometrics

Filtro	Ángulo de haz	Ángulo de campo	Ángulo de corte	Iluminancia a 5 m
Ópticos abiertos	11,4°	26°	55,8°	387 lux
Medio (pre instalado)	49,5°	95,3°	124,5°	41 lux
Medio con HF	31°	62,1°	86,5°	42 lux
Ancho (incluido)	60,4°	111,2°	138,3°	30 lux
Ancho con HF	32,6°	65,7°	101,7°	33 lux

Cableado

Longitud del cable máxima total (Aparato a aparato)	Rango de diámetro del cable Menos de 50' (15 m)	Rango de diámetro del cable 50-328' (15-100 m)
100 m (328')	23-24 AWG (apantallado o no apantallado)	23 AWG (apantallado)

Térmico

Rango de temperatura ambiente	Refrigeración
-20 °C a 45 °C (-4 °F a 113 °F)	Convección

Pedidos

Descripción del Producto	Nombre del Producto	Código de Artículo	Número UPC
LQIGIC AR111 Downlight M	LOGICAR111DNM	1541737	781462220853
LQIGIC AR111 TRIM	LOGICAR111TRIM	1541819	781462221676
LQIGIC AR111 HF	LOGICAR111HF	1651833	781462221812

À Propos de ce Manuel

Le Manuel de Référence du LQGIC AR111 Downlight M (MdR) reprend des informations sur cet appareil notamment en matière de montage, options de menu et valeurs DMX. Télécharger le Manuel d'Utilisation du LQGIC Drive 2X sur www.iluminarc.com pour plus d'informations.

Clause de Non-Responsabilité

Les informations et caractéristiques contenues dans ce manuel sont sujettes à changement sans préavis.

GARANTIE LIMITÉE

VEUILLEZ VISITER NOTRE SITE INTERNET POUR CONSULTER LES MODALITÉS D'ENREGISTREMENT DE LA GARANTIE ET LES CONDITIONS GÉNÉRALES COMPLÈTES.

Pour les clients aux États-Unis et au Mexique: www.iluminarc.com/warranty-registration-architectural-lighting.

Pour les clients du Royaume-Uni, de la République d'Irlande, de la Belgique, des Pays-Bas, du Luxembourg, de la France et de l'Allemagne: www.iluminarc.com/warranty-registration-architectural-lighting.

Chauvet garantit que cet appareil est exempt de défauts de matériaux et de fabrication dans des conditions normales d'utilisation, pendant la période spécifiée dans la garantie limitée complète consultable sur notre site Internet et sous réserve des exclusions et limitations qui y sont énoncées. Cette garantie ne s'applique qu'à l'acheteur initial du produit et n'est pas transférable. Pour exercer les droits prévus par cette garantie, vous devez fournir une preuve d'achat sous la forme d'un reçu de vente original d'un revendeur autorisé qui indique le nom du produit et la date d'achat. IL N'EXISTE AUCUNE AUTRE GARANTIE EXPRESSE OU IMPLICITE. Cette garantie vous confère des droits légaux spécifiques. Vous pouvez également bénéficier d'autres droits qui varient selon les états et les pays. Cette garantie n'est valable qu'aux États-Unis, au Royaume-Uni, en République d'Irlande, en Belgique, aux Pays-Bas, au Luxembourg, en France, en Allemagne et au Mexique. Pour connaître les conditions de garantie dans d'autres pays, veuillez consulter votre revendeur local.

Consignes de Sécurité

- Le luminaire doit être placé de manière à ce qu'il ne soit pas possible de le regarder de manière fixe à une distance inférieure à 3,3 pi (1 m).
- Si le câble ou le cordon flexible externe de ce luminaire est endommagé, il doit être remplacé par un câble ou cordon spécial disponible exclusivement auprès du fabricant ou de son prestataire de service.
- La source lumineuse contenue dans ce luminaire ne peut être remplacée que par le fabricant ou son prestataire de service ou une personne suffisamment qualifiée.
- Ce luminaire est uniquement réservé à un usage professionnel.
- N'ouvrez PAS cet appareil. Il ne contient aucun composant susceptible d'être réparé par l'utilisateur.
- Ne regardez PAS la source lumineuse lorsque l'appareil fonctionne.
- Ne pas utiliser ce produit dans un luminaire existant.
- Attention : Lorsque l'appareil est transféré d'un environnement à température extrême à un autre (par exemple d'un camion froid vers une salle de bal chaude et humide), de la condensation peut se former sur les composants électriques internes. Pour éviter de causer des dommages, laissez l'appareil s'acclimater entièrement au milieu environnant avant de le mettre sous tension.
- ATTENTION : le boîtier de cet appareil est brûlant lors du fonctionnement.
- Montez toujours cet appareil dans un endroit bien ventilé, à au moins, 20 po (50 cm) des surfaces adjacentes.
- Ne laissez AUCUNE source inflammable dans un rayon de 20 po (50 cm) de l'appareil lorsque celui-ci fonctionne.
- Utilisez TOUJOURS un câble de sécurité lorsque vous montez cet appareil en hauteur.
- N'utilisez PAS cet appareil en extérieur ou tout autre endroit où de la poussière, une chaleur excessive, de l'eau ou de l'humidité pourrait en affecter le fonctionnement. (IP20)
- N'utilisez PAS cet appareil si le boîtier, les lentilles ou les câbles vous semblent endommagés.
- Ne connectez PAS cet appareil ni à un gradateur ni à un rhéostat.
- Cet appareil doit UNIQUEMENT être branché sur une source d'alimentation (PSE) IEEE 802.3bt POE.
- En cas de sérieux problèmes de fonctionnement, arrêtez le système immédiatement.
- La plage de température de démarrage est de -4 °F à 113 °F (-20 °C à 45 °C). Ne démarrez pas le produit en dehors de cette plage.
- La plage de température de fonctionnement est de -40 °F à 113 °F (-40 °C à 45 °C). N'utilisez pas le produit en dehors de cette plage.
- La plage de température de stockage est de -40 °F à 167 °F (-40 °C à 75 °C). Ne stockez pas le produit en dehors de cette plage.

Conformité FCC

Cet appareil est conforme à la partie 15, sous-partie B du règlement de la FCC. L'utilisation est soumise aux deux conditions suivantes :

1. Cet appareil ne doit pas causer d'interférences nuisibles, et
2. Cet appareil doit accepter toutes les interférences reçues, y compris celles pouvant entraîner un fonctionnement indésirable.

Tout changement ou modification non expressément approuvé par l'autorité responsable de la conformité pourrait annuler le droit de l'utilisateur à utiliser l'équipement.

Contact

En dehors des États-Unis, du Royaume-Uni, de l'Irlande, du Benelux, de la France, de l'Allemagne, ou du Mexique, contactez votre fournisseur si vous avez besoin d'assistance ou pour retourner un appareil. Référez-vous à [Contact Us](#) à la fin de ce MdR pour obtenir des informations pour nous contacter.

Ce Qui est Inclus

- LQGIC AR111 Downlight M
- Support pour spot encastrable
- Bague de garniture
- Filtres moyen et large
- Support pour suspension
- Manuel de Référence

Courant continu

Cet appareil est alimenté par le LQGIC Drive 2X via une connexion CAT6 de 52 VDC. Pour plus de détails, téléchargez le manuel d'utilisation du LQGIC Drive 2X sur www.iluminarc.com.

Chaînage électrique

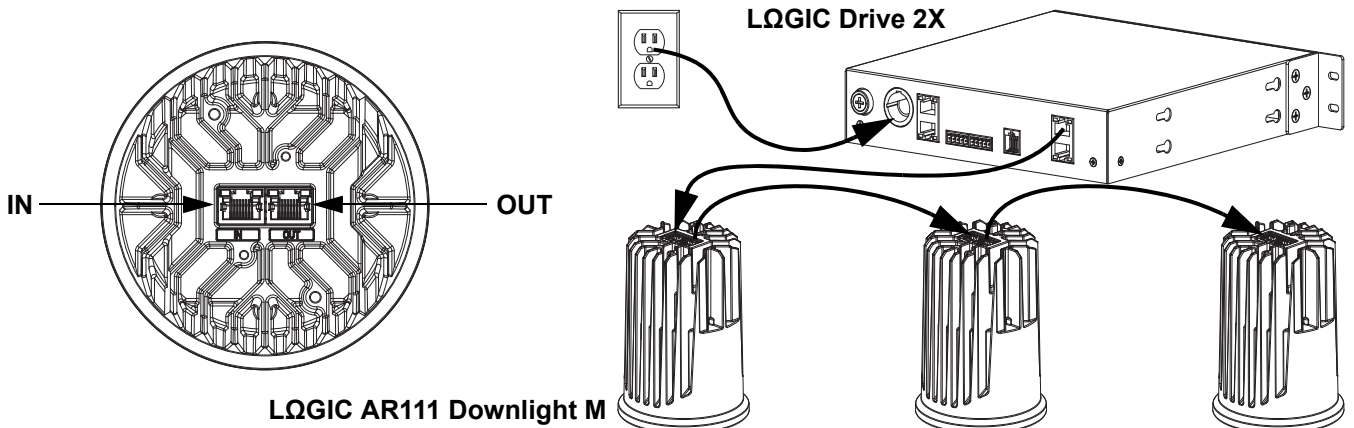
Il est possible connecter jusqu'à 3 appareils LQGIC AR111 Downlight M à partir d'une seule sortie du LQGIC Drive 2X.

Chaînage du signal

Le LQGIC AR111 Downlight M est conçu pour recevoir un signal de commande (DMX, RDM, Art-Net™ ou sACN) depuis le LQGIC Drive 2X via une connexion CAT6.

Connexion et câblage

Le LQGIC AR111 Downlight M dispose d'un port IN (entrée) et un port OUT (sortie) qui nécessitent des connexions Ethernet CAT6.



Les câbles courts, comme ceux qui passent dans le tuyau de câble d'un spot encastré, peuvent utiliser un calibre plus petit, mais tout câble de plus de 15 m (50 ft) doit être blindé et d'un diamètre de 23 AWG sans quoi les appareils risquent de ne pas être suffisamment alimentés.

Exigences relatives au câble : Câble CAT6 4 paires torsadées de diamètre max/min de 23/28 AWG.

- Pour les distances inférieures à 15 m (50 ft) : 23-28 AWG (blindé ou non blindé)
- Pour des distances de 15 à 100 m (50 à 328 ft) : 23 AWG (blindé)

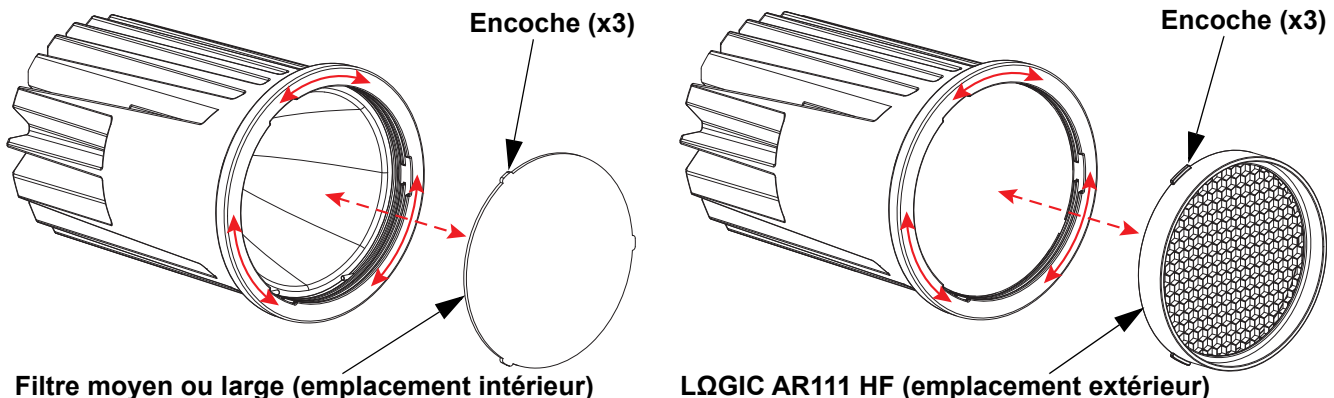


Le diamètre des tuyaux de câble des spots encastrables nécessite l'utilisation d'un câble CAT6 de plus petit diamètre, comme les câbles de raccordement Ethernet CAT6 Slimrun de Monoprice, toronnés 550 MHz, UTP, fil de cuivre pur nu, 28 AWG.

Filtres

Le LQGIC AR111 Downlight M dispose de 2 emplacements de filtre.

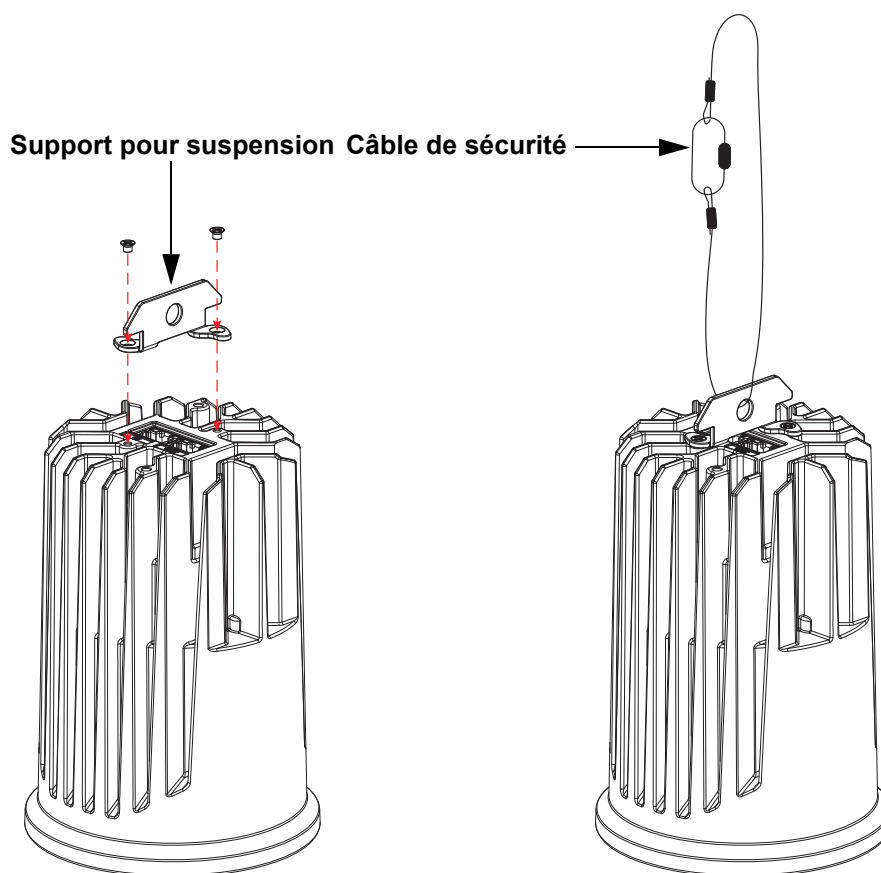
- L'emplacement du filtre intérieur s'adapte au filtre moyen (préinstallé) ou au filtre large (inclus).
- L'emplacement du filtre extérieur s'adapte au LQGIC AR111 HF (filtre en nid d'abeille, vendu séparément par Iluminarc).
- Pour retirer le filtre installé, tournez-le jusqu'à ce que les encoches situées sur le bord s'alignent avec les ouvertures de la fente.
- Pour installer un filtre dans un emplacement vide, alignez les encoches sur le bord avec les ouvertures dans l'emplacement et insérez-le. Tournez le filtre jusqu'à ce que les encoches soient bien enclenchées.



Ne tournez pas le filtre de plus de 60°, sinon il risque d'être mal fixé.

Installation

Avant de monter cet appareil, lisez et assimilez les [Consignes de Sécurité](#).

Montage en suspension

Préparation pour spot encastrable

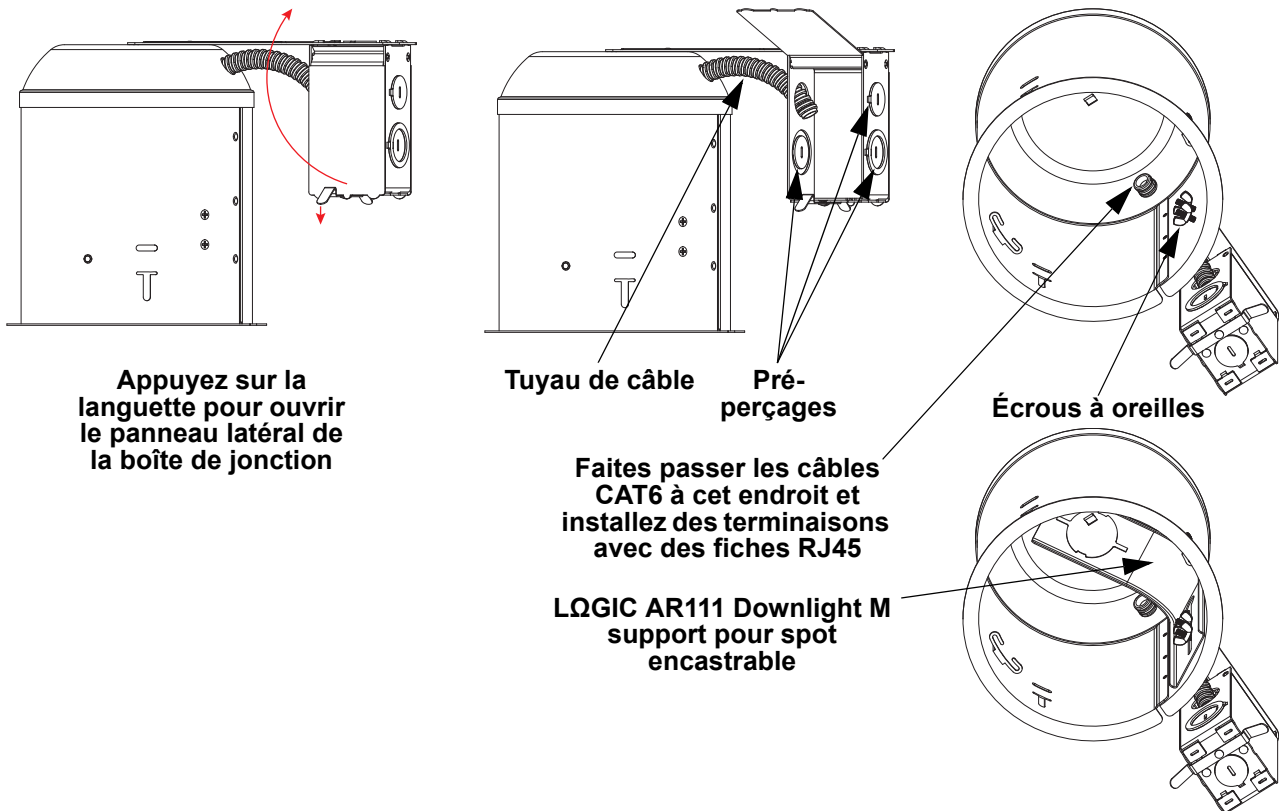
Le LQGIC AR111 Downlight M est livré avec un support de spot encastrable pour le montage dans une boîte de spot encastrable. Avant de monter cet appareil dans une boîte de spot encastrable, veuillez lire les [Consignes de Sécurité](#).

1. Retirez entièrement le câblage d'alimentation CA de la boîte de jonction et utilisez un tournevis à tête plate ou une pince pour enlever un pré-perçage pour le câble CAT6.
2. Faites passer 2 câbles CAT6 sans terminaison à travers l'orifice pré-percé et le tuyau de câble puis mettez des terminaisons en place au moyen de fiches RJ45 à l'autre extrémité.



Le diamètre des tuyaux de câble des spots encastrables nécessite l'utilisation d'un câble CAT6 de plus petit diamètre, comme les câbles de raccordement Ethernet CAT6 Slimrun de Monoprice, toronnés 550 MHz, UTP, fil de cuivre pur nu, 28 AWG.

3. Retirez le support livré avec le spot encastrable, en conservant les écrous à oreilles pour l'étape suivante.
4. Installez le support pour spot encastrable fourni avec le LQGIC AR111 Downlight M avec le(s) écrou(s) à oreilles de l'étape précédente. Ce support est conçu pour remplacer le support fourni avec le spot encastrable.



Appuyez sur la languette pour ouvrir le panneau latéral de la boîte de jonction

Tuyau de câble

Pré-perçages

Écrous à oreilles

Faites passer les câbles CAT6 à cet endroit et installez des terminaisons avec des fiches RJ45

LQGIC AR111 Downlight M support pour spot encastrable

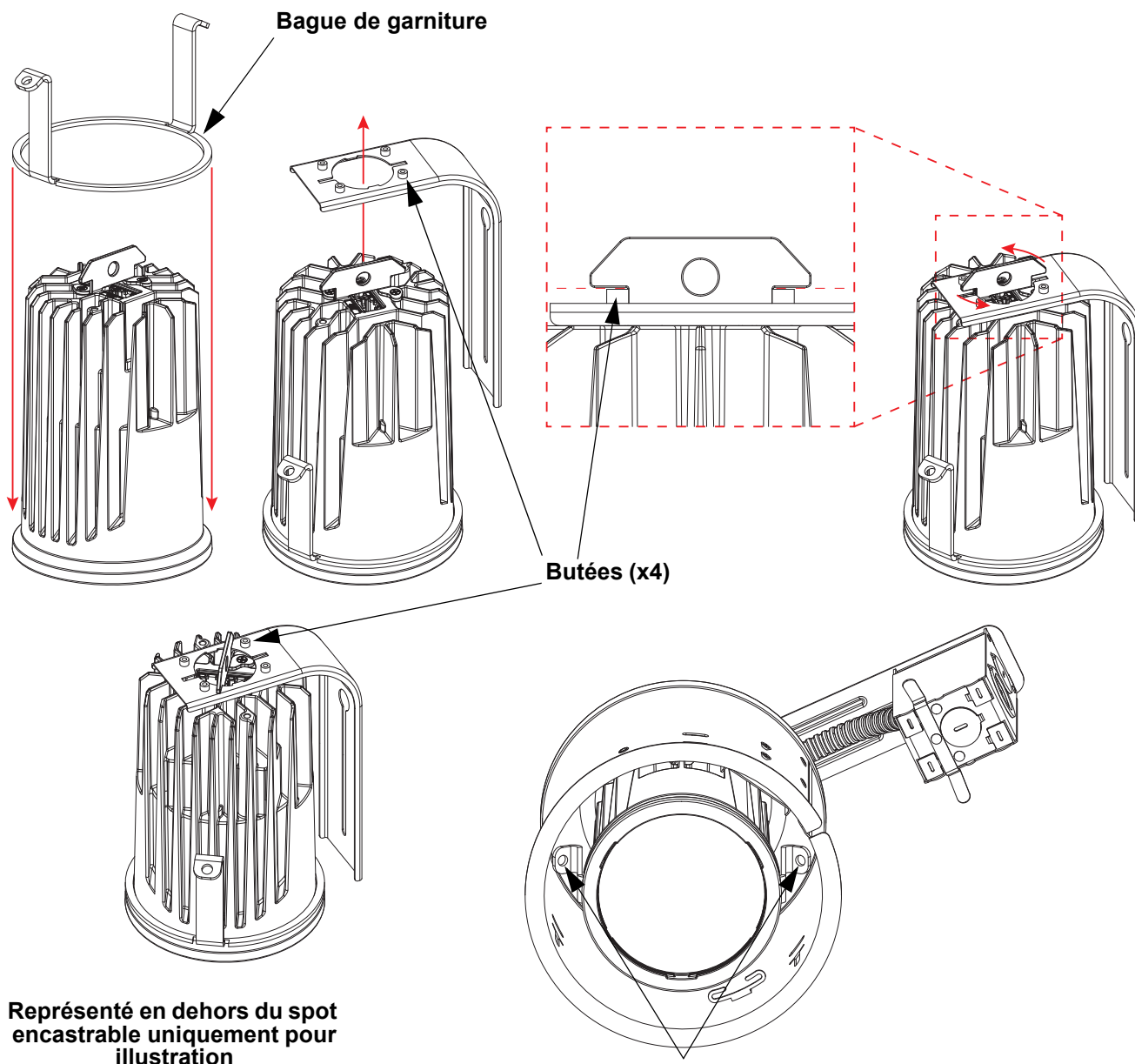


Lors de l'installation de spots encastrables et de câblage aérien, respectez toutes les réglementations et réglementations locales.

Fixation pour spot encastrable

Pour installer le LQGIC AR111 Downlight M dans la boîte pour spot encastrable préparée :

1. Installez le support de suspension sur l'appareil (voir [Montage en suspension](#)).
2. Placez la bague de garniture sur l'appareil en passant par le haut.
3. Branchez les câbles CAT6 acheminés à travers le tuyau de câble du spot encastrable. Veillez à brancher les câbles d'entrée et de sortie sur les ports appropriés.
4. Insérez l'appareil de manière à ce que le support de suspension passe à travers le support de spot encastrable et qu'il dépasse les butées.
5. Tournez l'appareil et abaissez-le de manière à ce que le support de suspension repose entre les butées du support de spot encastrable.
6. Fixez les ressorts de la bague de garniture (non montré sur le schéma) sur les bords de la bague de garniture.



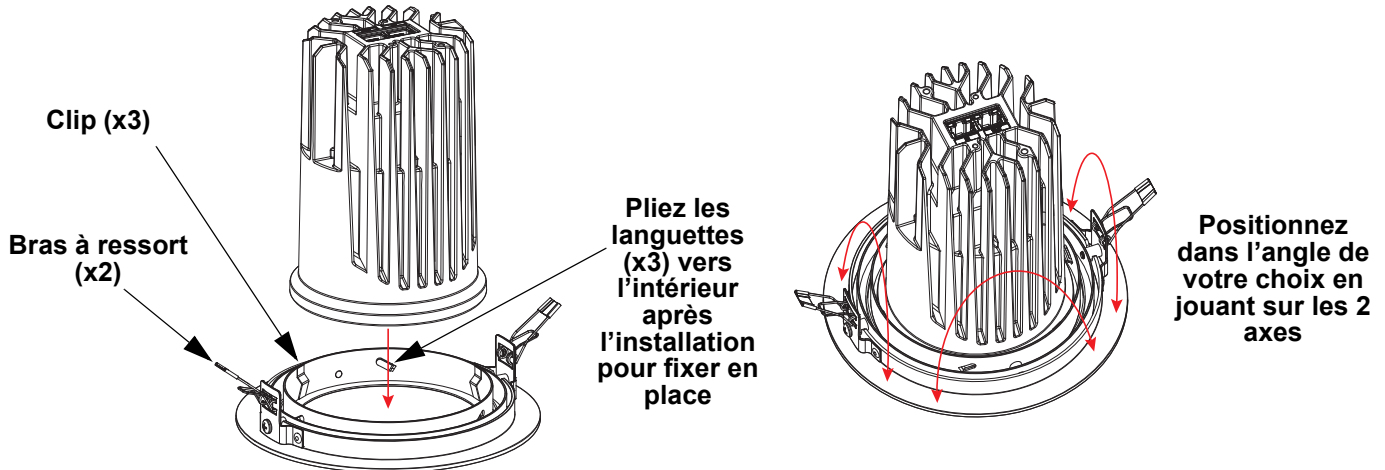
Représenté en dehors du spot encastrable uniquement pour illustration

Fixez les ressorts de la bague de garniture (non montré sur le schéma) sur les bords de la bague de garniture

Installation du LQGIC AR111 TRIM

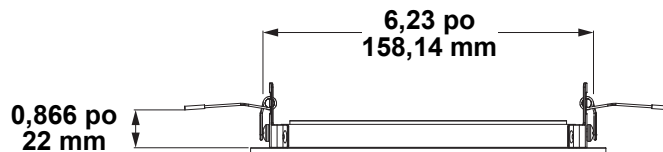
La LQGIC AR111 TRIM (vendue séparément par Iluminarc) peut être utilisée pour monter le LQGIC AR111 Downlight M au ras du plafond ou d'une surface en hauteur. Pour fixer la LQGIC AR111 TRIM au LQGIC AR111 Downlight M, insérez le LQGIC AR111 Downlight M dans l'ouverture supérieure de la LQGIC AR111 TRIM jusqu'à ce qu'il s'enclenche en place. Pliez les languettes vers l'intérieur après l'installation pour fixer en place.

Pour retirer la LQGIC AR111 TRIM, pliez les languettes vers leur position d'origine, appuyez sur l'un des clips et tirez le LQGIC AR111 Downlight M dans la direction opposée jusqu'à ce qu'il se libère.



Montage avec LQGIC AR111 TRIM

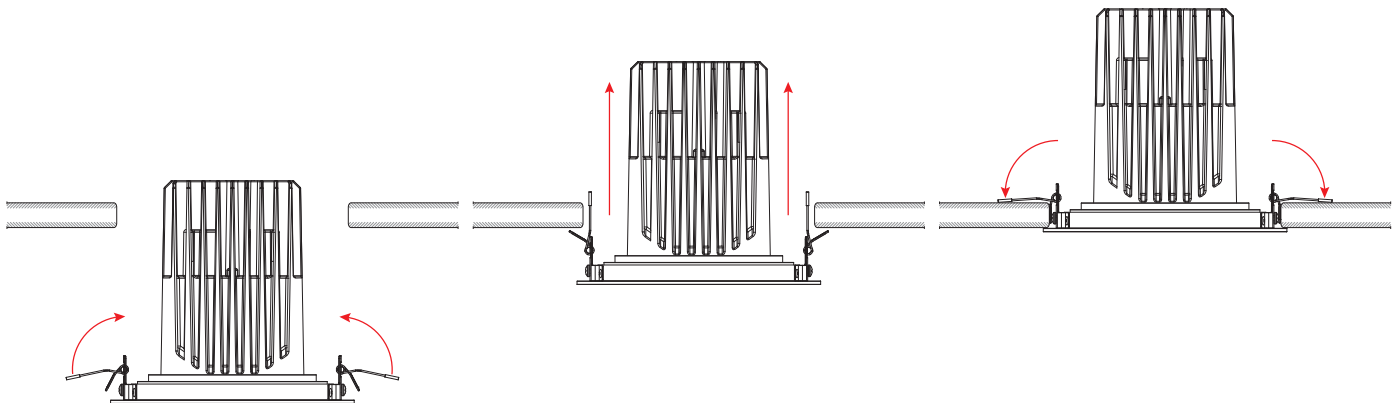
Avant de monter ce produit avec la LQGIC AR111 TRIM, lisez et assimilez les [Consignes de Sécurité](#).



- L'épaisseur maximale de plafond que la LQGIC AR111 TRIM peut supporter est de 22 mm (0,866 po).
- La LQGIC AR111 TRIM s'adapte à un trou d'un diamètre de 158,14 mm (6,23 po).

Pour monter le LQGIC AR111 Downlight M avec la LQGIC AR111 TRIM attachée, procédez comme suit :

1. Découpez un trou de 158,14 mm (6,23 in) dans le plafond ou la surface en hauteur de destination.
2. Faites passer tous les câbles nécessaires par ce trou et branchez-les dans le LQGIC AR111 Downlight M avant l'installation.
3. Poussez et maintenez les bras à ressort de la LQGIC AR111 TRIM vers le haut et l'intérieur.
4. Insérez le LQGIC AR111 Downlight M dans le trou jusqu'à ce que les bords du trou se trouvent entre les branches des bras à ressort.
5. Poussez le reste de l'appareil jusqu'à ce qu'il s'enclenche en place. La tension des bras à ressort maintiendra l'appareil à niveau par rapport au plafond ou à la surface en hauteur jusqu'à ce qu'il soit retiré de manière intentionnelle.



Plan du Menu

Accédez au menu du LQGIC AR111 Downlight M par le biais du menu LQGIC Drive 2X **Linked Fixtures**.

Reportez-vous à la pages du produits LQGIC AR111 Downlight M et LQGIC Drive 2X sur www.iluminarc.com pour la dernière plan du menu.

Menu Principal	Niveaux de Programmation		Description
Dmx Address	001–512		Définir l'adresse DMX
Personality	RED		1 canal : gradateur (rouge seulement)
	GREEN		1 canal : gradateur (vert seulement)
	BLUE		1 canal : gradateur (bleu seulement)
	WHITE		1 canal : gradateur (blanc seulement)
	TW		2 canaux, Blanc réglable : gradateur, température de couleur
	RGB		3 canaux : contrôle RGB
	RGBW		4 canaux : contrôle RGBW
	RGBW+D		5 canaux : gradateur, contrôle RGBW
Network	Net Switch	2.X.X.X	Sélectionne la première valeur de l'adresse IP
		10.X.X.X	
	Universe	000–255 / 001–256 (Art-Net™) (sACN)	Sélectionne l'univers
Local Info	Version	V _ _ _	Affiche la version actuelle du micrologiciel
	IP Address	_ _ _ . _ _ _ . _ _ _ . _ _ _	Affiche l'adresse IP
	Fixture Hours	_ hours	Affiche le temps pendant lequel l'appareil est resté allumé
	Label	_ _ _ _ _ _ _ _ _ _	Affiche l'étiquette du produit
	Device UID	_ _ _ _ _ _ - _ _ _ _ _	Affiche l'UID de l'appareil
	MAC Address	_ _ _ _ _ _ : _ _ _ : _ _ _ : _ _ _	Affiche l'adresse MAC actuelle
	Temperature	_ _ . _ °C	Affiche la température actuelle en °C
Factory Reset	No		Réinitialise les paramètres d'usine par défaut
	Yes		

Graphique RDM

Reportez-vous à la page du produit LQGIC AR111 Downlight M sur www.iluminarc.com pour la dernière graphique RDM.

GET	SET	Catégorie	ID de paramètre RDM (emplacement 21-22)	Valeur	Obligatoire	Détail
		Network Management	DISC_UNIQUE_BRANCH	0x0001	✓	
			DISC_MUTE	0x0002	✓	
			DISC_UN_MUTE	0x0003	✓	
✓		RDM Information	QUEUED_MESSAGE	0x0020		
✓			SUPPORTED_PARAMETERS	0x0050	✓	IDENTIFY_DEVICE, DEVICE_INFO, SOFTWARE_VERSION_LABEL, SUPPORTED_PARAMETERS, DMX_START_ADDRESS, DEVICE_MODEL_DESCRIPTION, MANUFACTURER_LABEL, DEVICE_LABEL, DMX_PERSONALITY, PERSONALITY_DESCRIPTION, SENSOR_DEFINITION, SENSOR_VALUE
✓			PARAMETER_DESCRIPTION	0x0051	✓	
✓		Product Information	DEVICE_INFO	0x0060	✓	1, RDM Protocol Version: V1.0; 2, Device_Mode_ID: 0x1737; 3, Product Category Defines: PRODUCT_CATEGORY_FIXTURE_FIXED; 4, Software Version ID; 5, DMX512 Footprint; 6, DMX512 Personality; 7, DMX512 Start Address; 8, Sensor Count;
			PRODUCT_DETAIL_ID_LIST	0x0070		
✓			DEVICE_MODEL_DESCRIPTION	0x0080		LOGICAR111DNM
✓			MANUFACTURER_LABEL	0x0081		ILUMINARC
✓	✓		DEVICE_LABEL	0x0082		LOGICAR111DNM
✓			SOFTWARE_VERSION_LABEL	0x00C0	✓	V_._
✓	✓		FACTORY_DEFAULTS			FACTORY_DEFAULTS : yes
✓	✓	DMX Setup	DMX_PERSONALITY	0x00E0		9pcs persons
✓			DMX_PERSONALITY_DESCRIPTION	0x00E1		RED/1CH, GREEN/1CH, BLUE/1CH, WHITE/1CH, TW/2CH, RGB/3CH, RGBW/4CH, RGBW+D/5CH, FULL/10CH
✓	✓		DMX_START_ADDRESS	0x00F0	✓	1-503
✓		Sensors	SENSOR_DEFINITION	0x0200		0.) Product Temperature __ °C
✓			SENSOR_VALUE	0x0201		—20° —100°
✓	✓	Control	IDENTIFY_DEVICE	0x1000	✓	Identify State: Off

Valeurs DMX

FULL (10 canaux)

Canal	Fonction	Valeur	Pourcentage/Paramétrage
1	Gradateur	000 ⇔ 255	0–100%
2	Rouge	000 ⇔ 255	0–100%
3	Vert	000 ⇔ 255	0–100%
4	Bleu	000 ⇔ 255	0–100%
5	Blanc	000 ⇔ 255	0–100%
6	Température de couleur	000 ⇔ 010	Pas de fonction
		011 ⇔ 020	1800K
		021 ⇔ 030	2200K
		031 ⇔ 040	2700K
		041 ⇔ 050	3000K
		051 ⇔ 060	3200K
		061 ⇔ 070	4000K
		071 ⇔ 080	4500K
		081 ⇔ 090	5000K
		091 ⇔ 100	5600K
		101 ⇔ 110	6000K
		111 ⇔ 120	6500K
		121 ⇔ 130	7000K
		131 ⇔ 140	8000K
		141 ⇔ 150	10000K
151 ⇔ 255	Pas de fonction		
7	Stroboscope	000 ⇔ 009	Pas de fonction
		010 ⇔ 099	Stroboscope, 0–25 Hz
		100 ⇔ 109	Pas de fonction
		110 ⇔ 179	Stroboscope de foudre, lent à rapide
		180 ⇔ 189	Pas de fonction
		190 ⇔ 255	Stroboscope aléatoire, lent à rapide
8	Programmes automatiques	000 ⇔ 040	Pas de fonction
		041 ⇔ 050	Programme automatique 1
		051 ⇔ 060	Programme automatique 2
		061 ⇔ 070	Programme automatique 3
		071 ⇔ 080	Programme automatique 4
		081 ⇔ 090	Programme automatique 5
		091 ⇔ 100	Programme automatique 6
		101 ⇔ 110	Programme automatique 7
		111 ⇔ 120	Programme automatique 8
		121 ⇔ 130	Programme automatique 9
		131 ⇔ 140	Programme automatique 10
141 ⇔ 255	Pas de fonction		
9	Vitesse du programme	000 ⇔ 255	Vitesse du programme automatique, lent à rapide
10	Vitesse du gradateur	000 ⇔ 009	Pas de fonction
		010 ⇔ 129	Active la courbe de gradateur
		130 ⇔ 255	Désactive la courbe de gradateur

RGBW+D (5 canaux)

Canal	Fonction	Valeur	Pourcentage/Paramétrage
1	Gradateur	000 ⇔ 255	0–100%
2	Rouge	000 ⇔ 255	0–100%
3	Vert	000 ⇔ 255	0–100%
4	Bleu	000 ⇔ 255	0–100%
5	Blanc	000 ⇔ 255	0–100%

RGBW (4 canaux)

Canal	Fonction	Valeur	Pourcentage/Paramétrage
1	Rouge	000 ⇔ 255	0–100%
2	Vert	000 ⇔ 255	0–100%
3	Bleu	000 ⇔ 255	0–100%
4	Blanc	000 ⇔ 255	0–100%

RGB (3 canaux)

Canal	Fonction	Valeur	Pourcentage/Paramétrage
1	Rouge	000 ⇔ 255	0–100%
2	Vert	000 ⇔ 255	0–100%
3	Bleu	000 ⇔ 255	0–100%

TW (Blanc réglable : 2 canaux)

Canal	Fonction	Valeur	Pourcentage/Paramétrage
1	Gradateur	000 ⇔ 255	0–100%
2	Température de couleur	000 ⇔ 010	Pas de fonction
		011 ⇔ 020	1800K
		021 ⇔ 030	2200K
		031 ⇔ 040	2700K
		041 ⇔ 050	3000K
		051 ⇔ 060	3200K
		061 ⇔ 070	4000K
		071 ⇔ 080	4500K
		081 ⇔ 090	5000K
		091 ⇔ 100	5600K
		101 ⇔ 110	6000K
		111 ⇔ 120	6500K
		121 ⇔ 130	7000K
		131 ⇔ 140	8000K
		141 ⇔ 150	10000K
151 ⇔ 255	Pas de fonction		

WHITE (Blanc, 1 canal)

Canal	Fonction	Valeur	Pourcentage/Paramétrage
1	Gradateur	000 ⇔ 255	Blanc seulement, 0–100%

BLUE (Bleu, 1 canal)

Canal	Fonction	Valeur	Pourcentage/Paramétrage
1	Gradateur	000 ⇔ 255	Bleu seulement, 0–100%

GREEN (Vert, 1 canal)

Canal	Fonction	Valeur	Pourcentage/Paramétrage
1	Gradateur	000 ⇔ 255	Vert seulement, 0–100%

RED (Rouge, 1 canal)

Canal	Fonction	Valeur	Pourcentage/Paramétrage
1	Gradateur	000 ⇔ 255	Rouge seulement, 0–100%

Spécificités Techniques

Dimensions et Poids

Produit	Longueur	Largeur	Hauteur	Poids
LQIC AR111 Downlight M	178 mm (6,7 po)	178 mm (6,7 po)	188,6 mm (11,51 po)	1,08 kg (2,38 lb)
LQIC AR111 TRIM	169 mm (6,65 po)	169 mm (6,65 po)	33,8 mm (1,33 po)	156 g (5,5 oz)
LQIC AR111 HF	94,5 mm (3,72 po)	94,5 mm (3,72 po)	14,5 mm (0,57 po)	34 g (1,2 oz)

Remarque: Les dimensions en pouce sont arrondies.

Alimentation

Source d'alimentation	Tension d'entrée	Sélection de tension
Alimentation électrique par câble Ethernet	52-56 V CC	Fixe

Alimentation un seul appareil	Puissance totale de connexion par port	Chaînage électrique
27 W via POE	81 W via POE	3 produits par port/injecteur de POE

E/S alimentation	US/Monde	UK/Europe
Connecteur d'entrée d'alimentation	Ethernet RJ45	Ethernet RJ45
Connecteur de sortie d'alimentation	Ethernet RJ45	Ethernet RJ45
Type de câble (obligatoire)	CAT6	CAT6

Source lumineuse

Type	Couleur	Quantité	Alimentation	Courant	Durée de vie
LED	RGBW	1	45 W	17,5 A	50 000 heures

Photométrie

Filtre	Angle de faisceau	Angle de champ	Angle de coupure	Éclairage @ 5 m
Optique ouverte	11,4°	26°	55,8°	387 lux
Moyen (pre installé)	49,5°	95,3°	124,5°	41 lux
Moyen avec HF	31°	62,1°	86,5°	42 lux
Large (inclus)	60,4°	111,2°	138,3°	30 lux
Large avec HF	32,6°	65,7°	101,7°	33 lux

Câblage

Longueur totale maximale de câble (Appareil à appareil)	Plage de diamètre de câble Moins de 15 m (50 ft)	Plage de diamètre de câble 15-100 m (50-328 ft)
100 m (328 pi)	23-24 AWG (blindé ou non blindé)	23 AWG (blindé)

Thermal

Plage de température ambiante	Système de Refroidissement
-20 °C à 45 °C (-4 °F à 113 °F)	Convection

Commande

Description de l'Appareil	Nom de l'Appareil	Code de l'Article	Code UPC
LQIC AR111 Downlight M	LOGICAR111DNM	1541737	781462220853
LQIC AR111 TRIM	LOGICAR111TRIM	1541819	781462221676
LQIC AR111 HF	LOGICAR111HF	1651833	781462221812

Über diese Schnellanleitung

In der Schnellanleitung des LQGIC AR111 Downlight M finden Sie die wesentlichen Informationen, wie etwa über die Montage, Optionen und DMX-Werte des Geräts. Laden Sie für weiterführende Informationen unter www.iluminarc.com das Benutzerhandbuch herunter.

Haftungsausschluss

Die in dieser Anleitung aufgeführten Informationen und Spezifikationen können ohne vorherige Ankündigung geändert werden.

EINGESCHRÄNKTE GARANTIE

ZUR REGISTRIERUNG FÜR GARANTIEANSPRÜCHE UND ZUR EINSICHT IN DIE VOLLSTÄNDIGEN GESCHÄFTSBEDINGUNGEN BESUCHEN SIE BITTE UNSERE WEBSITE.

Für Kunden in den USA und in Mexiko: www.wwww.iluminarc.com/warranty-registration-architectural-lighting.

Für Kunden im Vereinigten Königreich, in Irland, Belgien, den Niederlanden, Luxemburg, Frankreich und Deutschland: www.wwww.iluminarc.com/warranty-registration-architectural-lighting.

Chauvet garantiert für die in der auf unserer Website veröffentlichten vollständigen eingeschränkten Garantie genannten Dauer und unter Vorbehalt der darin genannten Haftungsausschlüsse und -beschränkungen, dass dieses Produkt bei normalen Gebrauch frei von Material- und Verarbeitungsfehlern ist. Diese Garantie erstreckt sich nur auf den Erstkäufer des Produkts und ist nicht übertragbar. Zur Ausübung der unter dieser Garantie gewährten Rechte ist der Kaufbeleg in Form der Originalrechnung von einem autorisierten Händler vorzulegen, in der die Produktbezeichnung und das Kaufdatum vermerkt sein müssen. ES BESTEHEN KEINE WEITEREN AUSDRÜCKLICHEN ODER STILLSCHWEIGENDEN GARANTIEN. Diese Garantie gibt Ihnen besondere gesetzliche Rechte. Und Sie haben möglicherweise weitere Rechte, die von Land zu Land unterschiedlich sein können. Diese Garantie ist nur in den USA, im Vereinigten Königreich, in Irland, Belgien, den Niederlanden, Luxemburg, Frankreich, Deutschland und Mexiko gültig. Bezüglich der Garantiebestimmungen in anderen Ländern wenden Sie sich bitte an Ihren lokalen Händler.

Sicherheitshinweise

- Die Leuchte sollte so positioniert werden, dass ein langes starres Schauen in die Leuchte in einem Abstand von weniger als 3,3 Fuß (1 m) nicht zu erwarten ist.
- Ist das externe flexible Kabel dieser Leuchte beschädigt, muss es durch ein gleichwertiges Kabel oder ein ausschließlich vom Hersteller oder dessen Vertriebspartner erhältliches Kabel ersetzt werden.
- Das in dieser Leuchte enthaltene Leuchtmittel darf nur vom Hersteller oder dessen Vertriebspartner oder einer ähnlich qualifizierten Person ausgetauscht werden.
- Die Leuchte ist ausschließlich für den professionellen Einsatz bestimmt.
- Dieses Gerät NICHT öffnen. Die eingebauten Komponenten sind für den Kunden wartungsfrei.
- NIEMALS in die Lichtquelle schauen, während das Gerät eingeschaltet ist.
- Verwenden Sie dieses Produkt nicht in einer vorhandenen Leuchte.
- VORSICHT: Das Gehäuse dieses Produkts kann während des Betriebs heiß werden. Installieren Sie das Gerät an einem Ort mit ausreichender Belüftung und mit einem Abstand von mindestens 50 cm zu den angrenzenden Flächen.
- Belassen Sie KEINE entflammaren Materialien in einem Umkreis von 50 cm dieses Geräts, während es in Betrieb oder an der Stromversorgung angeschlossen ist.
- VORSICHT: Beim Transport des Geräts von einer Umgebung mit außergewöhnlichen Temperaturen in eine andere solche Umgebung (z. B. aus einem kalten Transporter in einen warm-feuchten Ballsaal) kann an der im Gerät enthaltenen Elektronik Wasser kondensieren. Um einen Defekt zu vermeiden, muss sich das Gerät erst in der neuen Umgebung akklimatisiert haben, bevor es an die Stromversorgung angeschlossen werden kann.
- VERWENDEN Sie bei Montage über Kopf immer ein Sicherungsseil.
- Nehmen sie das Gerät NICHT im Freien oder an einem Ort in Betrieb, der durch Staubentwicklung, übermäßige Hitze, Wasser oder hohe Luftfeuchtigkeit charakterisiert ist. (IP20)
- NIEMALS das Gerät in Betrieb nehmen, wenn Ihnen das Gehäuse, die Linsen oder das Kabel beschädigt erscheinen.
- Schließen Sie dieses Gerät NICHT an einen Dimmer oder Regelwiderstand an.
- Schließen Sie NUR dieses Produkt an die IEEE 802.3bt PoE-Stromquelle (PSE – Power Source Equipment) an.
- Bei ernsthaften Betriebsproblemen stoppen Sie umgehend die Verwendung des Geräts.
- Der Anlaufbereich liegt zwischen -4 °F bis 113 °F (-20 °C bis 45 °C). Starten Sie das Produkt nicht außerhalb dieses Bereichs.
- Der Betriebstemperaturbereich liegt zwischen -40 °F bis 113 °F (-40 °C bis 45 °C). Betreiben Sie das Produkt nicht außerhalb dieses Bereichs.
- Der Lagertemperaturbereich liegt zwischen -40 °F bis 167 °F (-40 °C bis 75 °C). Lagern Sie das Produkt nicht außerhalb dieses Bereichs.

FCC-Konformität

Dieses Gerät erfüllt Teil 15, Teil B, der FCC-Bestimmungen. Der Betrieb ist an folgende zwei Bedingungen geknüpft:

1. Dieses Gerät darf keine schädlichen Interferenzen verursachen, und
2. Dieses Gerät muss empfangende Interferenzen aufnehmen können, auch Interferenzen, die eventuell einen unerwünschten Betrieb verursachen.

Jegliche Änderungen oder Modifikationen, die nicht ausdrücklich von der Partei genehmigt wurden, die für die Compliance zuständig ist, könnten die Berechtigung des Benutzers zum Betrieb dieses Geräts aufheben.

Kontakt

Kunden außerhalb der USA, GB, Irland, Benelux, Frankreich, Deutschland oder Mexiko wenden sich an ihren Lieferanten, um den Kundensupport in Anspruch zu nehmen oder ein Produkt zurückzuschicken. Kontaktinformationen finden Sie im [Contact Us](#) am Ende dieses QRG.

Packungsinhalt

- LQIG AR111 Downlight M
- Mittel- und Breit-Filter
- Hi-Hat-Bügel
- Bügel als Hängendepant
- Verkleidungsringzubehör
- Schnellanleitung

Gleichstrom

Dieses Produkt wird vom LQIG Drive 2X über eine CAT6-Verbindung mit 52 VDC versorgt. Laden Sie für weiterführende Informationen zum LQIG Drive 2X unter www.iluminarc.com das Benutzerhandbuch herunter.

Serienschaltung der Geräte

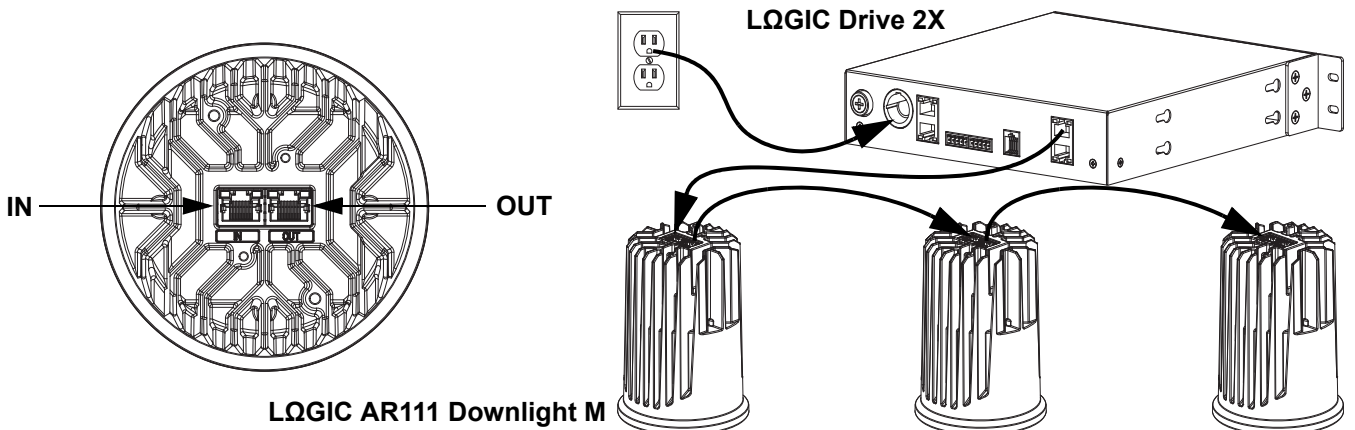
An einem Ausgang des LQIG Drive 2X bis zu 3 LQIG AR111 Downlight M-Produkte anschließen.

Signalverknüpfung

Der LQIG AR111 Downlight M erhält ein Steuersignal (DMX, RDM, Art-Net™ oder sACN) vom LQIG Drive 2X über eine CAT6-Verbindung.

Anschließen und Verkabelung

Der LQIG AR111 Downlight M verfügt über 1 IN (Eingang) und 1 OUT (Ausgang), für die eine CAT6 Ethernet-Verbindung erforderlich ist.



Bei kurzen Kabeln, wie etwa jene im Kabelrohr eines Hi-Hat, können kleinere Querschnitte verwendet werden, aber jedes Kabel mit einer Länge von mehr als 15 m muss 23 AWG und abgeschirmt sein, da die Produkte andernfalls nicht ausreichend mit Strom versorgt werden. Kabelanforderungen: Max./min. Querschnitt 23/28 AWG CAT6 4, verdrehte Aderpaare.

- Bei Entfernungen von weniger als 15 m: 23–28 AWG (abgeschirmt oder nicht abgeschirmt)
- Bei Entfernungen von 15 bis 100 m: 23 AWG (abgeschirmt)

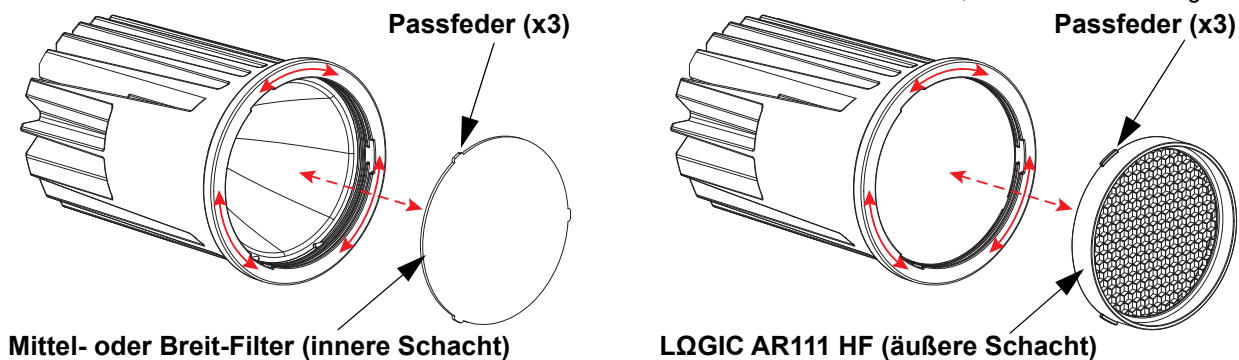


Der Durchmesser eines Kabelrohres bei Hi-Hats muss kleiner sein als der Querschnitt des CAT6-Kabels, wie zum Beispiel das Monoprice Slimrun CAT6 Ethernet-Patchkabel, verseilt, 550 MHz, UTP, Blankdraht aus reinem Kupfer, 28 AWG.

Filter

Der LQIG AR111 Downlight M verfügt über 2 Filterschächte.

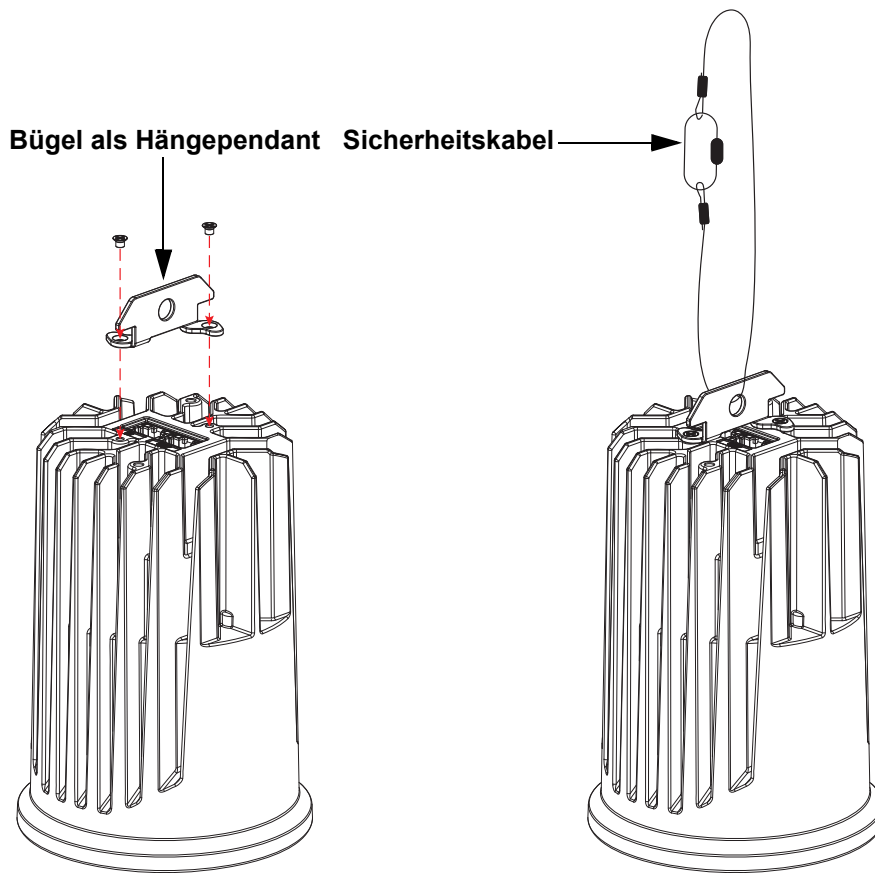
- Der innere Filterschacht ist für den Mittel-Filter (vorinstalliert) oder den Breit-Filter (beiliegend) geeignet.
- Der äußere Filterschacht ist für den LQIG AR111 HF (Bienenwabe Filter, von Iuminarc separat erhältlich) geeignet.
- Zum Entfernen des eingebauten Filters drehen Sie diesen, bis die Passfedern an der Kante mit den Öffnungen im Schacht übereinstimmen.
- Zum Einbauen eines Filters in einen leeren Schacht drehen Sie die Passfedern an der Kante so, dass sie mit den Öffnungen im Schacht übereinstimmen. Danach können Sie den Filter einstecken. Drehen Sie den Filter so, dass die Passfedern gesichert sind.



Drehen Sie den Filter um nicht mehr als 60°, da er dann nicht gesichert ist.

Montage

Lesen Sie vor der Montage dieses Geräts die [Sicherheitshinweise](#) durch.

Pendantmontage

Vorbereitung des Hi-Hat

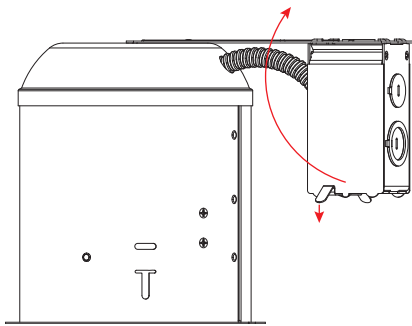
Der LQGIC AR111 Downlight M verfügt über einen Hi-Hat-Bügel zur Befestigung in einer Hi-Hat-Kanne. Lesen Sie vor der Montage dieses Produkts in einer Hi-Hat-Kanne die [Sicherheitshinweise](#).

1. Klemmen Sie das Wechselstromkabel von der Anschlussdose ab und entfernen Sie mit einem Flachkopfschraubendreher oder einer Zange den Durchlass für die CAT6-Kabel.
2. Verlegen Sie 2 nicht abgeschlossene CAT6-Kabel durch den Durchlass und das Kabelrohr, und schließen Sie diese am anderen Ende mit RJ45-Steckern ab.

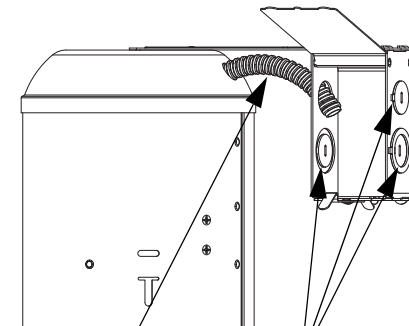


Der Durchmesser eines Kabelrohres bei Hi-Hats muss kleiner sein als der Querschnitt des CAT6-Kabels, wie zum Beispiel das Monoprice Slimrun CAT6 Ethernet-Patchkabel, verseilt, 550 MHz, UTP, Blankdraht aus reinem Kupfer, 28 AWG.

3. Entfernen Sie den mit dem Hi-Hat mitgelieferten Bügel, bewahren Sie dabei alle Flügelmuttern für den nächsten Schritt auf.
4. Installieren Sie den mit dem LQGIC AR111 Downlight M mitgelieferten Hi-Hat-Bügel mit den Flügelmutter vom vorherigen Schritt. Dieser Bügel dient als Ersatz des mit dem Hi-Hat mitgelieferten Bügels.

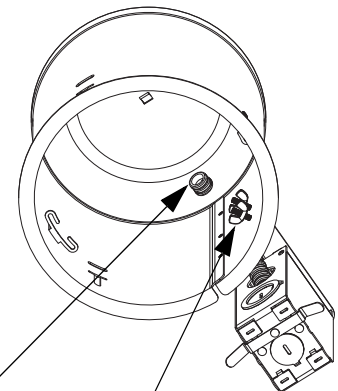


Drücken Sie auf die Lasche, damit sich die seitliche Abdeckung der Anschlussdose öffnet

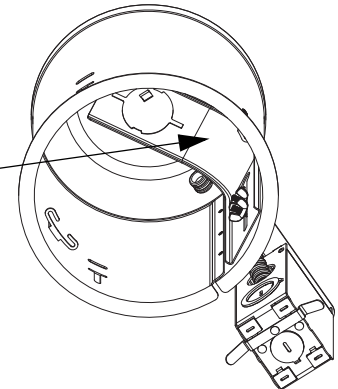


Kabelrohr Durchlässe

Ziehen Sie die CAT6-Kabel hier hindurch und schließen Sie diese mit RJ45-Steckern ab



Flügelmuttern



LQGIC AR111 Downlight M Hi-Hat-Bügel

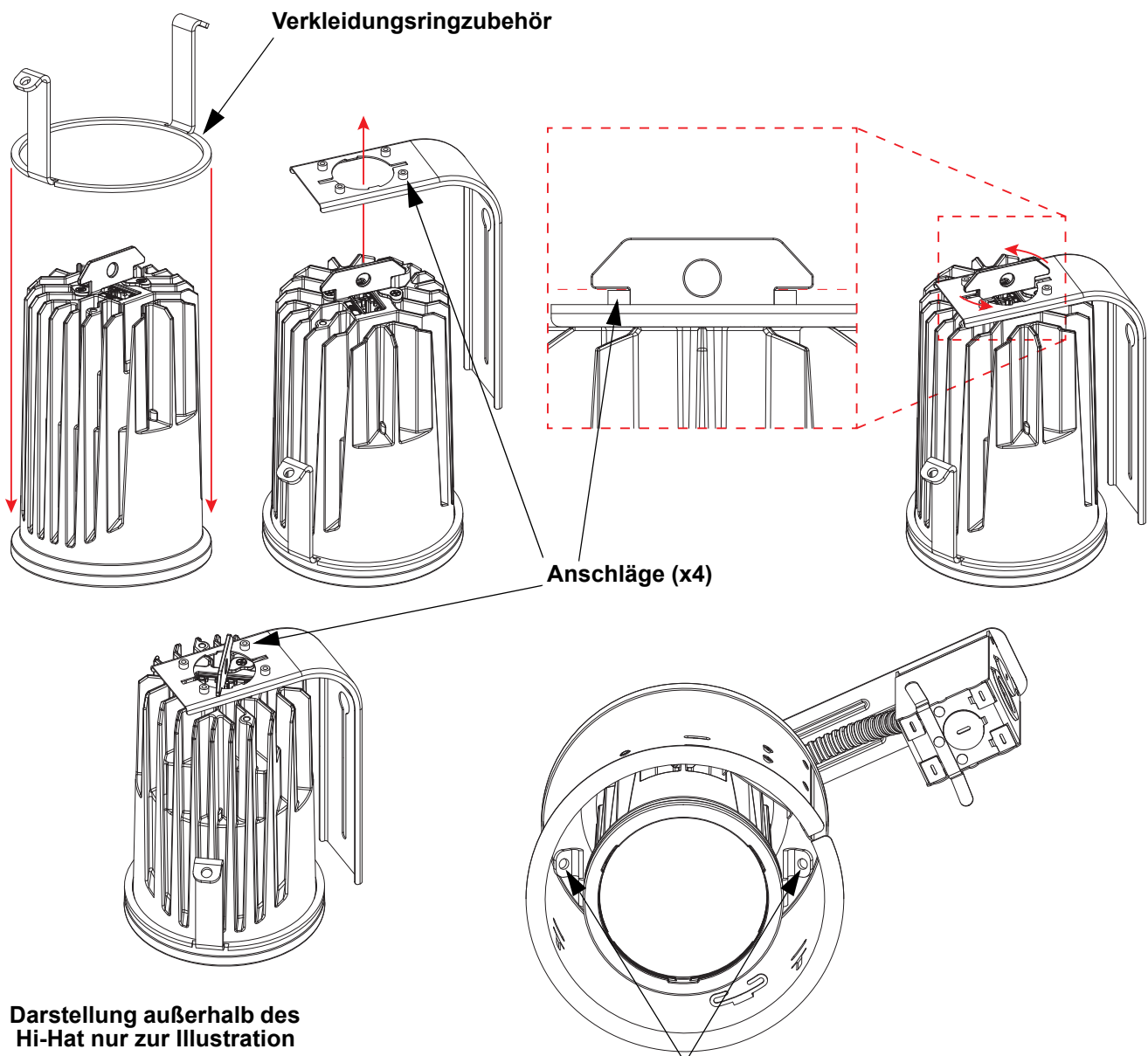


Beachten Sie bei der Installation der Hi-Hats und der Verkabelung über Kopf alle lokalen Vorschriften und Regulierungen.

Hi-Hat-Befestigung

So montieren Sie den LQIC AR111 Downlight M in der vorbereiteten Hi-Hat-Kanne:

1. Befestigen Sie den Bügel als Hängependant am Produkt (siehe [Pendantmontage](#)).
2. Legen Sie das Verkleidungsringzubehör von oben auf das Produkt.
3. Stecken Sie die durch das Kabelrohr des Hi-Hat verlegten CAT6-Kabel ein. Achten Sie beim Anschließen auf die richtige Zuordnung von Ein- und Ausgang.
4. Stecken Sie das Produkt so ein, dass der Pendantbügel durch den Hi-Hat-Bügel passt und bis nach den Anschlägen reicht.
5. Drehen und senken Sie das Produkt so, dass der Pendantbügel zwischen den Anschlägen auf dem Hi-Hat-Bügel aufliegt.
6. Befestigen Sie die Federn eines Verkleidungsrings (nicht dargestellt) an den Rohren des Verkleidungsringzubehörs.



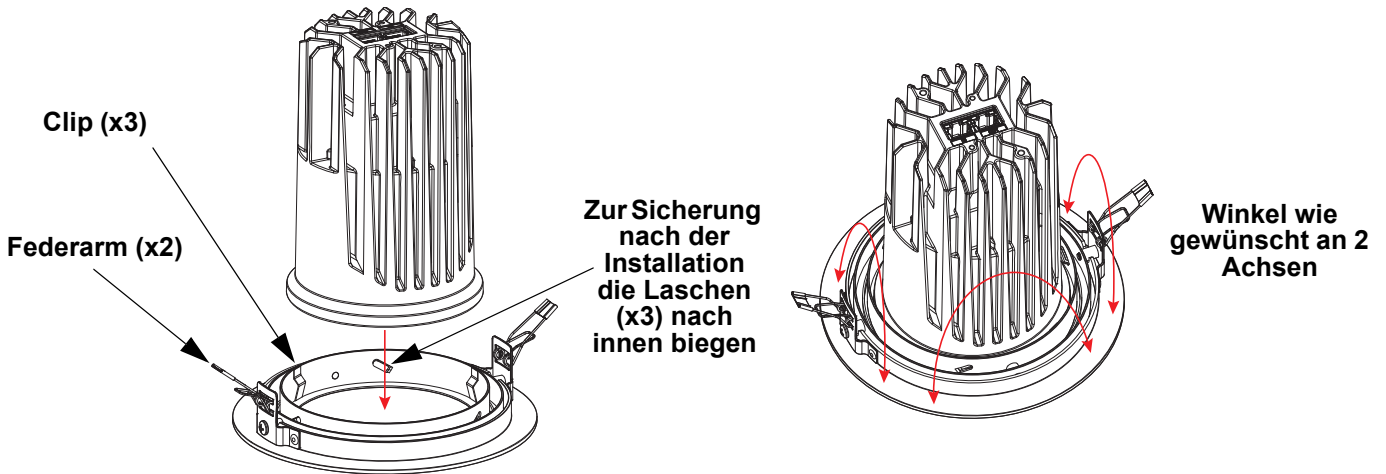
Darstellung außerhalb des Hi-Hat nur zur Illustration

Befestigen Sie die Federn eines Verkleidungsrings (nicht dargestellt) an den Rohren des Verkleidungsringzubehörs

LQGIC AR111 TRIM Installation

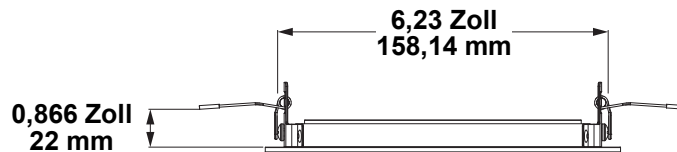
Die LQGIC AR111 TRIM (von Iuminarc separat erhältlich) kann zur bündigen Befestigung des LQGIC AR111 Downlight M an einer Decke oder Oberfläche über Kopf verwendet werden. Stecken Sie für die Befestigung der LQGIC AR111 TRIM am LQGIC AR111 Downlight M den LQGIC AR111 Downlight M in die obere Öffnung der LQGIC AR111 TRIM, bis er einrastet. Biegen Sie zur Sicherung nach der Installation die Laschen nach innen.

Biegen Sie zum Entfernen der LQGIC AR111 TRIM die Laschen in ihre ursprüngliche Stellung zurück, drücken Sie dann einen der Clips nach unten und ziehen Sie den LQGIC AR111 Downlight M in die gegensätzliche Richtung, bis er locker ist.



LQGIC AR111 TRIM Montage

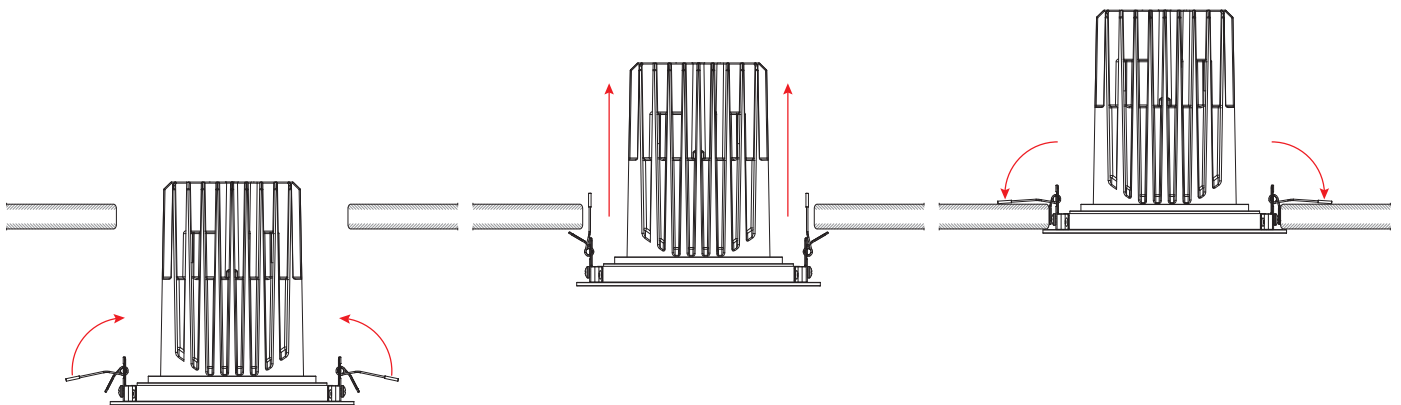
Lesen Sie vor der Montage dieses Produkts mit die LQGIC AR111 TRIM die [Sicherheitshinweise](#) durch.



- Die maximal von der LQGIC AR111 TRIM unterstützte Deckenstärke beträgt 22 mm.
- Die LQGIC AR111 TRIM passt in ein Loch mit einem Durchmesser von 158,14 mm.

So montieren Sie den LQGIC AR111 Downlight M mit der angebrachten LQGIC AR111 TRIM:

1. Schneiden Sie ein 158,14 mm großes Loch und die entsprechende Decke oder Oberfläche über Kopf.
2. Verlegen Sie alle erforderlichen Kabel bis zu diesem Loch und stecken Sie diese vor der Montage am LQGIC AR111 Downlight M an.
3. Drücken Sie die Federarme an der LQGIC AR111 TRIM nach oben und halten Sie diese gedrückt.
4. Stecken Sie den LQGIC AR111 Downlight M in das Loch, bis die Kanten des Lochs zwischen den Beinen der Federarme sind.
5. Drücken Sie das Produkt bis ganz nach oben, bis es einrastet. Die Spannung der Federarme hält das Produkt bündig an der Decke oder der Oberfläche über Kopf, bis sie entfernt werden.



Menükarte

Über das Menü für **Linked Fixtures** des LQGIC Drive 2X können Sie auf das Menü des LQGIC AR111 Downlight M zugreifen.

Die neueste Menükarte finden Sie auf der LQGIC AR111 Downlight M- und LQGIC Drive 2X-Produktseite unter www.iluminarc.com.

Hauptebene	Programmirebenen		Beschreibung
Dmx Address	001–512		Stellt die DMX-Adresse ein
Personality	RED		1 Kanal: Dimmer (nur rot)
	GREEN		1 Kanal: Dimmer (nur grün)
	BLUE		1 Kanal: Dimmer (nur blau)
	WHITE		1 Kanal: Dimmer (nur weiß)
	TW		2 Kanäle, Regelbar weiß: Dimmer, Farbtemperatur
	RGB		3 Kanäle: RGB-Steuerung
	RGBW		4 Kanäle: RGBW-Steuerung
	RGBW+D		5 Kanäle: Dimmer, RGBW-Steuerung
Network	Net Switch	2.X.X.X	Damit wählen Sie den ersten Wert der IP-Adresse aus
		10.X.X.X	
	Universe	000–255 / 001–256 (Art-Net™) (sACN)	Damit wählen Sie das Universum aus
Local Info	Version	V _._ _	Zeigt die Firmware-Version an
	IP Address	_._._. _._._	Zeigt die aktuelle IP-Adresse an
	Fixture Hours	_ hours	Zeigt an, wie lange das Gerät eingeschaltet gewesen ist
	Label	_ _ _ _ _	Zeigt das Produktetikett an
	Device UID	_ _ _ _ _ - _ _ _ _ _	Zeigt die Geräte-UID an
	MAC Address	_ _ _ _ _ - _ _ _ _ _	Zeigt die aktuelle MAC-Adresse an
	Temperature	_ _ _ °C	Zeigt die aktuelle Temperatur in °C an
Factory Reset	No		Damit setzen auf die Werkseinstellungen zurück
	Yes		

RDM-Diagramm

Die neueste RDM-Diagramm finden Sie auf der LQGIC AR111 Downlight M-Produktseite unter www.iluminarc.com.

GET	SET	Kategorie	RDM-Parameter-IDs (Steckplatz 21-22)	Wert	Benötigte	Detail
		Network Management	DISC_UNIQUE_BRANCH	0x0001	✓	
			DISC_MUTE	0x0002	✓	
			DISC_UN_MUTE	0x0003	✓	
✓			QUEUED_MESSAGE	0x0020		
✓		RDM Information	SUPPORTED_PARAMETERS	0x0050	✓	IDENTIFY_DEVICE, DEVICE_INFO, SOFTWARE_VERSION_LABEL, SUPPORTED_PARAMETERS, DMX_START_ADDRESS, DEVICE_MODEL_DESCRIPTION, MANUFACTURER_LABEL, DEVICE_LABEL, DMX_PERSONALITY, PERSONALITY_DESCRIPTION, SENSOR_DEFINITION, SENSOR_VALUE
✓			PARAMETER_DESCRIPTION	0x0051	✓	
✓		Product Information	DEVICE_INFO	0x0060	✓	1, RDM Protocol Version: V1.0; 2, Device_Mode_ID: 0x1737; 3, Product Category Defines: PRODUCT_CATEGORY_FIXTURE_FIXED; 4, Software Version ID; 5, DMX512 Footprint; 6, DMX512 Personality; 7, DMX512 Start Address; 8, Sensor Count;
			PRODUCT_DETAIL_ID_LIST	0x0070		
✓			DEVICE_MODEL_DESCRIPTION	0x0080		LOGICAR111DNM
✓			MANUFACTURER_LABEL	0x0081		ILUMINARC
✓	✓		DEVICE_LABEL	0x0082		LOGICAR111DNM
✓			SOFTWARE_VERSION_LABEL	0x00C0	✓	V_._
✓	✓		FACTORY_DEFAULTS			FACTORY_DEFAULTS : yes
✓	✓	DMX Setup	DMX_PERSONALITY	0x00E0		9pcs persons
✓			DMX_PERSONALITY_DESCRIPTION	0x00E1		RED/1CH, GREEN/1CH, BLUE/1CH, WHITE/1CH, TW/2CH, RGB/3CH, RGBW/4CH, RGBW+D/5CH, FULL/10CH
✓	✓		DMX_START_ADDRESS	0x00F0	✓	1-503
✓		Sensors	SENSOR_DEFINITION	0x0200		0.) Product Temperature __ °C
✓			SENSOR_VALUE	0x0201		—20° —100°
✓	✓	Control	IDENTIFY_DEVICE	0x1000	✓	Identify State: Off

DMX Werte

FULL (10 Kanäle)

Kanal	Funktion	Wert	Prozent/Einstellung
1	Dimmer	000 ⇔ 255	0–100%
2	Rot	000 ⇔ 255	0–100%
3	Grün	000 ⇔ 255	0–100%
4	Blau	000 ⇔ 255	0–100%
5	Weiß	000 ⇔ 255	0–100%
6	Farbtemperatur	000 ⇔ 010	Keine Funktion
		011 ⇔ 020	1800K
		021 ⇔ 030	2200K
		031 ⇔ 040	2700K
		041 ⇔ 050	3000K
		051 ⇔ 060	3200K
		061 ⇔ 070	4000K
		071 ⇔ 080	4500K
		081 ⇔ 090	5000K
		091 ⇔ 100	5600K
		101 ⇔ 110	6000K
		111 ⇔ 120	6500K
		121 ⇔ 130	7000K
		131 ⇔ 140	8000K
		141 ⇔ 150	10000K
151 ⇔ 255	Keine Funktion		
7	Stroboskop	000 ⇔ 009	Keine Funktion
		010 ⇔ 099	Stroboskop, 0–25 Hz
		100 ⇔ 109	Keine Funktion
		110 ⇔ 179	Blitze-Stroboskop, langsam nach schnell
		180 ⇔ 189	Keine Funktion
		190 ⇔ 255	Zufalls-Strobe, langsam nach schnell
8	Automatischen Programme	000 ⇔ 040	Keine Funktion
		041 ⇔ 050	Automatische Programm 1
		051 ⇔ 060	Automatische Programm 2
		061 ⇔ 070	Automatische Programm 3
		071 ⇔ 080	Automatische Programm 4
		081 ⇔ 090	Automatische Programm 5
		091 ⇔ 100	Automatische Programm 6
		101 ⇔ 110	Automatische Programm 7
		111 ⇔ 120	Automatische Programm 8
		121 ⇔ 130	Automatische Programm 9
		131 ⇔ 140	Automatische Programm 10
141 ⇔ 255	Keine Funktion		
9	Programmgeschwindigkeit	000 ⇔ 255	Automatische Programmgeschwindigkeit, langsam nach schnell
10	Dimmergeschwindigkeit	000 ⇔ 009	Keine Funktion
		010 ⇔ 129	Aktiviert die Dimmerkurve
		130 ⇔ 255	Deaktiviert die Dimmerkurve

RGBW+D (5 Kanäle)

Kanal	Funktion	Wert	Prozent/Einstellung
1	Dimmer	000 ⇔ 255	0–100%
2	Rot	000 ⇔ 255	0–100%
3	Grün	000 ⇔ 255	0–100%
4	Blau	000 ⇔ 255	0–100%
5	Weiß	000 ⇔ 255	0–100%

RGBW (4 Kanäle)

Kanal	Funktion	Wert	Prozent/Einstellung
1	Rot	000 ⇔ 255	0–100%
2	Grün	000 ⇔ 255	0–100%
3	Blau	000 ⇔ 255	0–100%
4	Weiß	000 ⇔ 255	0–100%

RGB (3 Kanäle)

Kanal	Funktion	Wert	Prozent/Einstellung
1	Rot	000 ⇔ 255	0–100%
2	Grün	000 ⇔ 255	0–100%
3	Blau	000 ⇔ 255	0–100%

TW (Regelbar weiß: 2 Kanäle)

Kanal	Funktion	Wert	Prozent/Einstellung
1	Dimmer	000 ⇔ 255	0–100%
2	Farbtemperatur	000 ⇔ 010	Keine Funktion
		011 ⇔ 020	1800K
		021 ⇔ 030	2200K
		031 ⇔ 040	2700K
		041 ⇔ 050	3000K
		051 ⇔ 060	3200K
		061 ⇔ 070	4000K
		071 ⇔ 080	4500K
		081 ⇔ 090	5000K
		091 ⇔ 100	5600K
		101 ⇔ 110	6000K
		111 ⇔ 120	6500K
		121 ⇔ 130	7000K
		131 ⇔ 140	8000K
		141 ⇔ 150	10000K
		151 ⇔ 255	Keine Funktion

WHITE (Weiß, 1 Kanal)

Kanal	Funktion	Wert	Prozent/Einstellung
1	Dimmer	000 ⇔ 255	Nur weiß, 0–100%

BLUE (Blau, 1 Kanal)

Kanal	Funktion	Wert	Prozent/Einstellung
1	Dimmer	000 ⇔ 255	Nur blau, 0–100%

GREEN (Grün, 1 Kanal)

Kanal	Funktion	Wert	Prozent/Einstellung
1	Dimmer	000 ⇔ 255	Nur grün, 0–100%

RED (Rot, 1 Kanal)

Kanal	Funktion	Wert	Prozent/Einstellung
1	Dimmer	000 ⇔ 255	Nur rot, 0–100%

Technische Daten

Abmessungen und Gewicht

Produkt	Länge	Breite	Höhe	Gewicht
LQIC AR111 Downlight M	178 mm (6,7 Zoll)	178 mm (6,7 Zoll)	188,6 mm (11,51 Zoll)	1,08 kg (2,38 lb)
LQIC AR111 TRIM	169 mm (6,65 Zoll)	169 mm (6,65 Zoll)	33,8 mm (1,33 Zoll)	156 g (5,5 Unzen)
LQIC AR111 HF	94,5 mm (3,72 Zoll)	94,5 mm (3,72 Zoll)	14,5 mm (0,57 Zoll)	34 g (1,2 Unzen)

Hinweis: Abmessungen in Zoll sind gerundet.

Leistungsaufnahme

Stromquelle	Eingangsspannung	Spannungsauswahl
Stromversorgung über Ethernet	52-56 VDC	Fest

Stromversorgung für Einzelgerät	Gesamtstromversorgung für Verknüpfung pro Anschluss	Serienschaltung
27 W über POE	81 W über POE	3 Produkte pro Anschluss/PoE-Injektor

I/O-Eingangsbuchse	USA/Weltweit	GB/Europa
Stromeingangsbuchse	Ethernet RJ45	Ethernet RJ45
Stromausgangsbuchse	Ethernet RJ45	Ethernet RJ45
Kabeltyp (erforderlich)	CAT6	CAT6

Leuchtquelle

Typ	Farbe	Menge	Leistungsaufnahme	Strom	Dauer
LED	RGBW	1	45 W	17,5 A	50.000 Stunden

Lichttechnik

Filter	Abstrahlwinkel	Feldwinkel	Abschaltwinkel	Beleuchtungsstärke @ 5 m
Offene Optik	11,4°	26°	55,8°	387 lux
Mittel (vorinstalliert)	49,5°	95,3°	124,5°	41 lux
Mittel mit HF	31°	62,1°	86,5°	42 lux
Breit (inbegriffen)	60,4°	111,2°	138,3°	30 lux
Breit mit HF	32,6°	65,7°	101,7°	33 lux

Verkabelung

Maximale Gesamtkabellänge (Gerät zu Gerät)	Kabelquerschnittsbereich Weniger als 50 Fuß (15 m)	Kabelquerschnittsbereich 50 bis 328 Fuß (15 bis 100 m)
100 m (328 Fuß)	23-24 AWG (abgeschirmt oder nicht)	23 AWG (abgeschirmt)

Wärmeentwicklung

Umgebungstemperaturbereich	Kühlung
-20 °C bis 45 °C (-4 °F bis 113 °F)	Konvektion

Bestellung

Produktbezeichnung	Artikelname	Artikelcode	UPC-Nummer
LQIC AR111 Downlight M	LOGICAR111DNM	1541737	781462220853
LQIC AR111 TRIM	LOGICAR111TRIM	1541819	781462221676
LQIC AR111 HF	LOGICAR111HF	1651833	781462221812

Over deze handleiding

De LQGIC AR111 Downlight M Beknopte Handleiding bevat informatie over het product, zoals montage, menu-opties en DMX-waarden. Download de gebruikershandleiding voor de LQGIC Drive 2X op www.iluminarc.com voor meer informatie.

Disclaimer

De informatie en specificaties in deze beknopte handleiding kunnen zonder voorafgaande kennisgeving worden gewijzigd.

BEPERKTE GARANTIE

GA NAAR ONZE WEBSITE VOOR REGISTRATIE VAN DE GARANTIE EN DE VOLLEDIGE ALGEMENE VOORWAARDEN.

Voor klanten in de Verenigde Staten en Mexico: www.iluminarc.com/warranty-registration-architectural-lighting.

Voor klanten in het Verenigd Koninkrijk, Ierland, België, Nederland, Luxemburg, Frankrijk en Duitsland:

www.iluminarc.com/warranty-registration-architectural-lighting.

Chauvet garandeert dat dit product bij normaal gebruik vrij zal blijven van defecten in materiaal en vakmanschap, voor de opgegeven periode en onder voorbehoud van de uitzonderingen en beperkingen die zijn uiteengezet in de volledige beperkte garantie op onze website. Deze garantie geldt uitsluitend voor de oorspronkelijke koper van het product en is niet overdraagbaar. Om onder deze garantie rechten uit te oefenen, moet u een aankoopbewijs overleggen in de vorm van een origineel verkoopbewijs van een geautoriseerde dealer, waarop de naam van het product en de aankoopdatum zichtbaar zijn. ER ZIJN GEEN ANDERE EXPLICIETE OF IMPLICIETE GARANTIES. Deze garantie geeft u specifieke wettelijke rechten. Mogelijk heeft u ook andere rechten die van staat tot staat en van land tot land verschillen. Deze garantie is uitsluitend geldig in de Verenigde Staten, het Verenigd Koninkrijk, Ierland, België, Nederland, Luxemburg, Frankrijk, Duitsland en Mexico. Neem contact op met uw lokale verkoper voor garantievoorwaarden in andere landen.

Veiligheidsinstructies

- De armatuur moet zodanig geplaatst worden dat langdurig staren in de armatuur op een afstand van minder dan 3,3 voet (1 m) voorkomen wordt.
- Als de externe flexibele kabel of het snoer van deze armatuur beschadigd is, moet deze worden vervangen door een speciaal snoer of een snoer dat uitsluitend beschikbaar is bij de fabrikant of zijn onderhoudsagent.
- De lichtbron die in deze armatuur omvat is mag alleen vervangen worden door de fabrikant, of diens onderhoudsagent of een soortgelijk erkend persoon.
- De armatuur is uitsluitend bedoeld voor professioneel gebruik.
- Open het product NIET. Het bevat geen te onderhouden onderdelen.
- KIJK NIET in de lichtbron wanneer het apparaat is ingeschakeld.
- Gebruik dit product niet in een bestaande armatuur.
- LET OP: De behuizing van dit product kan heet zijn wanneer het in bedrijf is.
- Monteer dit product op een plek met voldoende ventilatie, ten minste 50 cm van de aangrenzende oppervlakken.
- Plaats geen ontvlambaar materiaal binnen 50 cm van dit product als het in gebruik is of is aangesloten op het stopcontact.
- LET OP: Bij het verplaatsen van het product uit extreme omgevingen, (bijv. koude vrachtwagen naar warme, vochtige balzaal) kan er condensvorming optreden op de elektronica van het product. Om storingen te vermijden moet het product volledig kunnen acclimatiseren aan de omgeving voordat het op stroom wordt aangesloten.
- GEBRUIK een veiligheidskabel bij het boven het hoofd plaatsen van dit product.
- Gebruik dit product NIET buitenshuis of op een locatie waar stof, grote warmte, water of vochtigheid het kunnen beïnvloeden. (IP20)
- Gebruik dit product NIET als de behuizing, lenzen of kabels beschadigd lijken.
- Sluit dit product NIET aan op een dimmer of een regelweerstand.
- Sluit dit product UITSLUITEND aan op de IEEE 802.3bt POE voedingsbronapparatuur (PSE).
- Stop in het geval van ernstige operationele problemen onmiddellijk met het gebruik.
- Het opstarttemperatuurbereik is van -4 °F tot 113 °F (-20 °C tot 45 °C). Start het product niet buiten dit bereik.
- Het bedrijfstemperatuurbereik is van -40 °F tot 113 °F (-40 °C tot 45 °C). Gebruik het product niet buiten dit bereik.
- Het opslagtemperatuurbereik is van -40 °F tot 167 °F (-40 °C tot 75 °C). Bewaar het product niet buiten dit bereik.

FCC-naleving

Dit apparaat voldoet aan Part 15 Part B van de FCC-regels. Het gebruik is onderworpen aan de volgende twee voorwaarden:

1. Dit apparaat mag geen schadelijke interferentie veroorzaken, en
2. Dit apparaat moet enige ontvangen interferentie accepteren, inclusief interferentie die een ongewenste werking kan veroorzaken.

Eventuele wijzigingen of aanpassingen die niet uitdrukkelijk door de voor naleving verantwoordelijke partij zijn goedgekeurd, kan de bevoegdheid van de gebruiker om de apparatuur te bedienen ongeldig verklaren.

Contact

Van buiten de VS, Verenigd Koninkrijk, Ierland, Benelux, Frankrijk, Duitsland of Mexico kunt u contact opnemen met de distributeur of om ondersteuning vragen dan wel het product retourneren. Raadpleeg [Contact Us](#) aan het einde van deze beknopte handleiding voor contactinformatie.

Wat is inbegrepen

- LQGIC AR111 Downlight M
- Hi-hat-beugel
- Sierringaccessoire
- Middelgroot en breed filters
- Hangbeugel
- Beknopte handleiding

Gelijkstroom

Dit product wordt via een CAT6-aansluiting van 52 VDC door de LQGIC Drive 2X gevoed. Download de gebruikershandleiding voor de LQGIC Drive 2X vanaf www.iluminarc.com voor meer informatie.

Power Linking

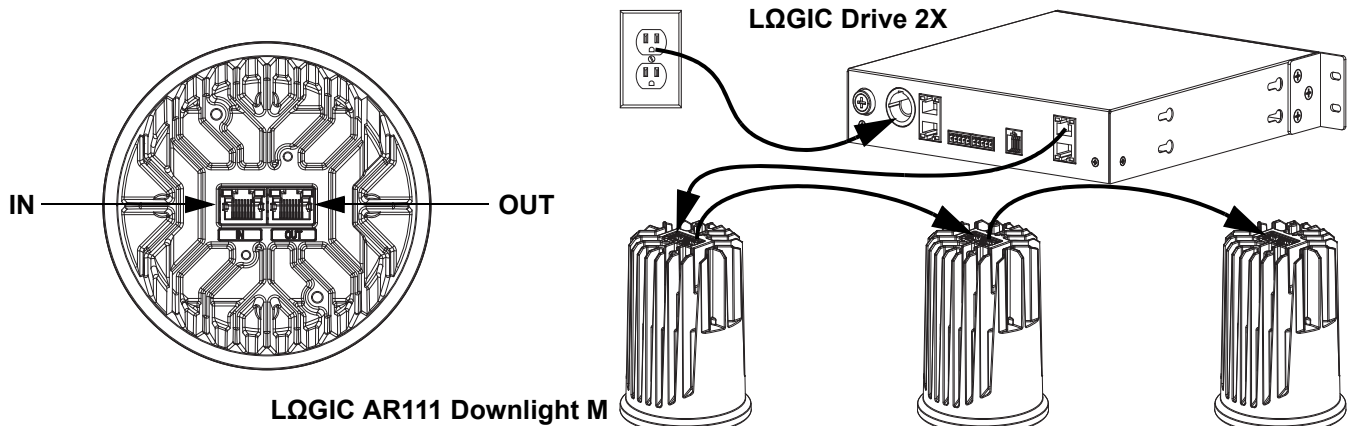
Het is mogelijk tot 3 LQGIC AR111 Downlight M-producten koppelen vanaf één uitgang van de LQGIC Drive 2X.

Signaalkoppeling

De LQGIC AR111 Downlight M ontvangt via een CAT6-verbinding een regelsignaal (DMX, RDM, Art-Net™ of sACN) vanaf de LQGIC Drive 2X.

Aansluiten en bekabelen

De LQGIC AR111 Downlight M heeft een IN-poort en een OUT-poort (uit) die CAT6-ethernetverbindingen vereisen.



Korte kabels, zoals die door de kabelbuis van een hi-hat lopen, kunnen een kleinere dikte gebruiken, maar elke kabel die langer is dan 50 ft (15 m) dient 23 AWG dik en afgeschermd te zijn, anders krijgen de producten mogelijk onvoldoende voeding. Kabelvereisten: Max/Min dikte van 23/28 AWG CAT6 4 gedraaid aderpaar.

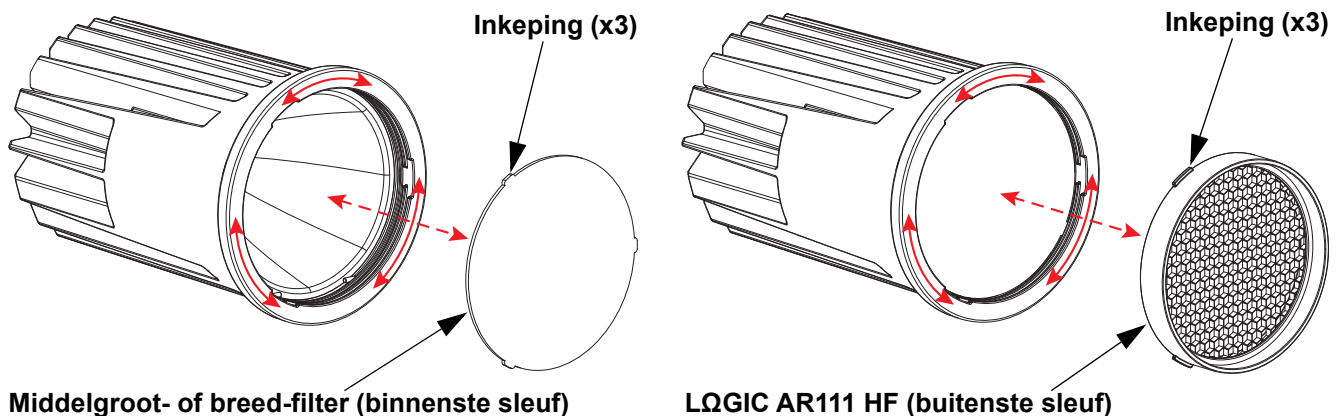
- Voor afstanden van minder dan 15 m: 23-28 AWG (afgeschermd of niet-afgeschermd)
- Voor afstanden van 15-100 m: 23 AWG (afgeschermd)

 De diameter van kabelbuizen in hi-hats vereist een CAT6-kabel met een kleinere diameter, zoals Monoprice Slimrun CAT6 Ethernet-patchkabels, gevlochten 550 MHz, UTP, zuivere blanke koperdraad, 28 AWG.

Filters

De LQGIC AR111 Downlight M heeft 2 filtersleuven.

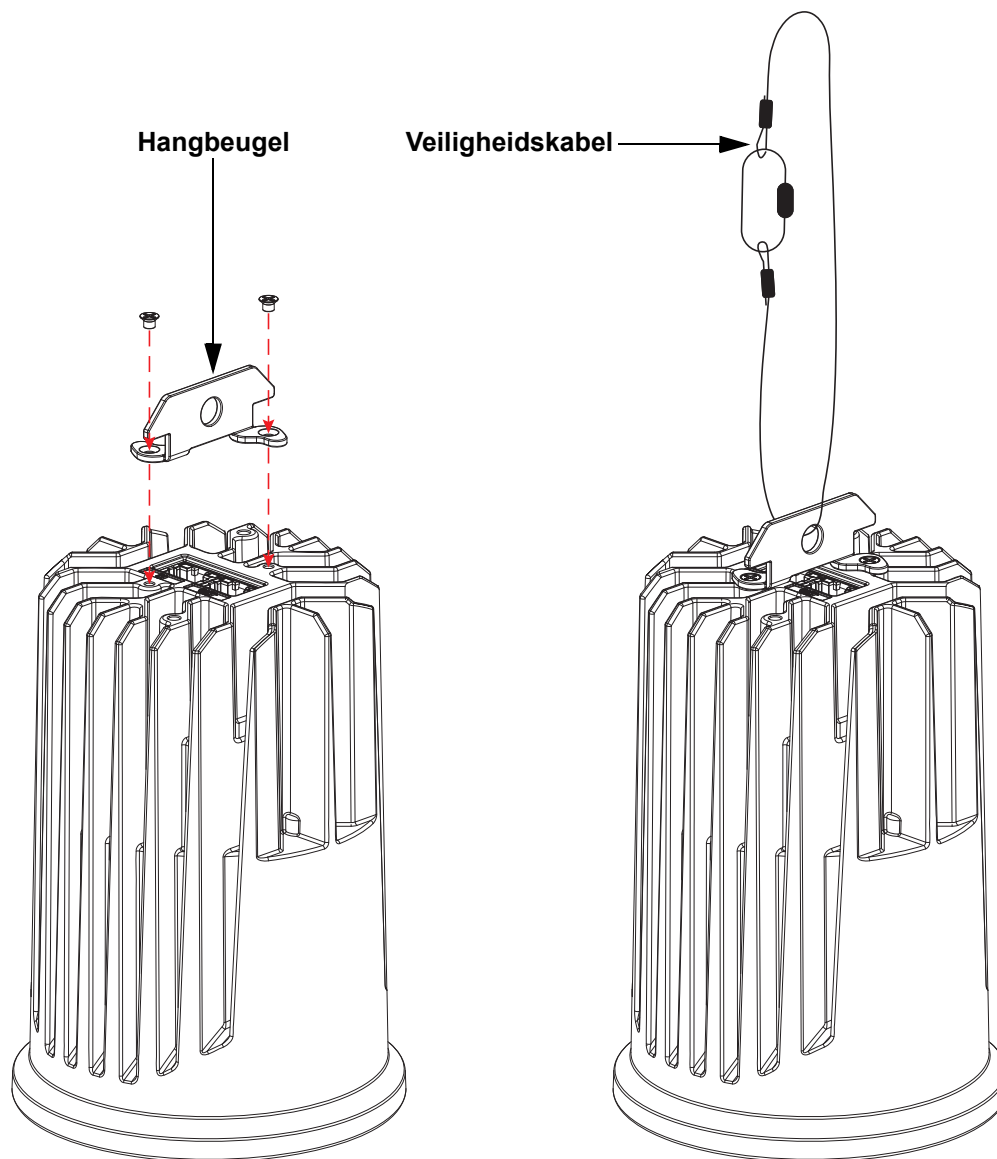
- De binnenste filtersleuf past bij het middelgroot-filter (voorgeïnstalleerd) of het breed-filter (meegeleverd).
- De buitenste filtersleuf past bij het LQGIC AR111 HF (Honeycomb-filter, apart verkocht door ILLUMINARC).
- Om het geïnstalleerde filter te verwijderen, draait u deze totdat de inkepingen op de rand op één lijn liggen met de openingen in de sleuf.
- Om een filter in een lege sleuf te installeren, lijnt u de sleuven op de rand uit met de openingen in de sleuf en het inzetstuk. Draai het filter zodat de inkepingen vastzitten.



Draai het filter niet meer dan 60°, anders zit deze misschien niet goed vast.

Montage

Lees alvorens dit product te monteren alle [Veiligheidsinstructies](#).

Hangende montage

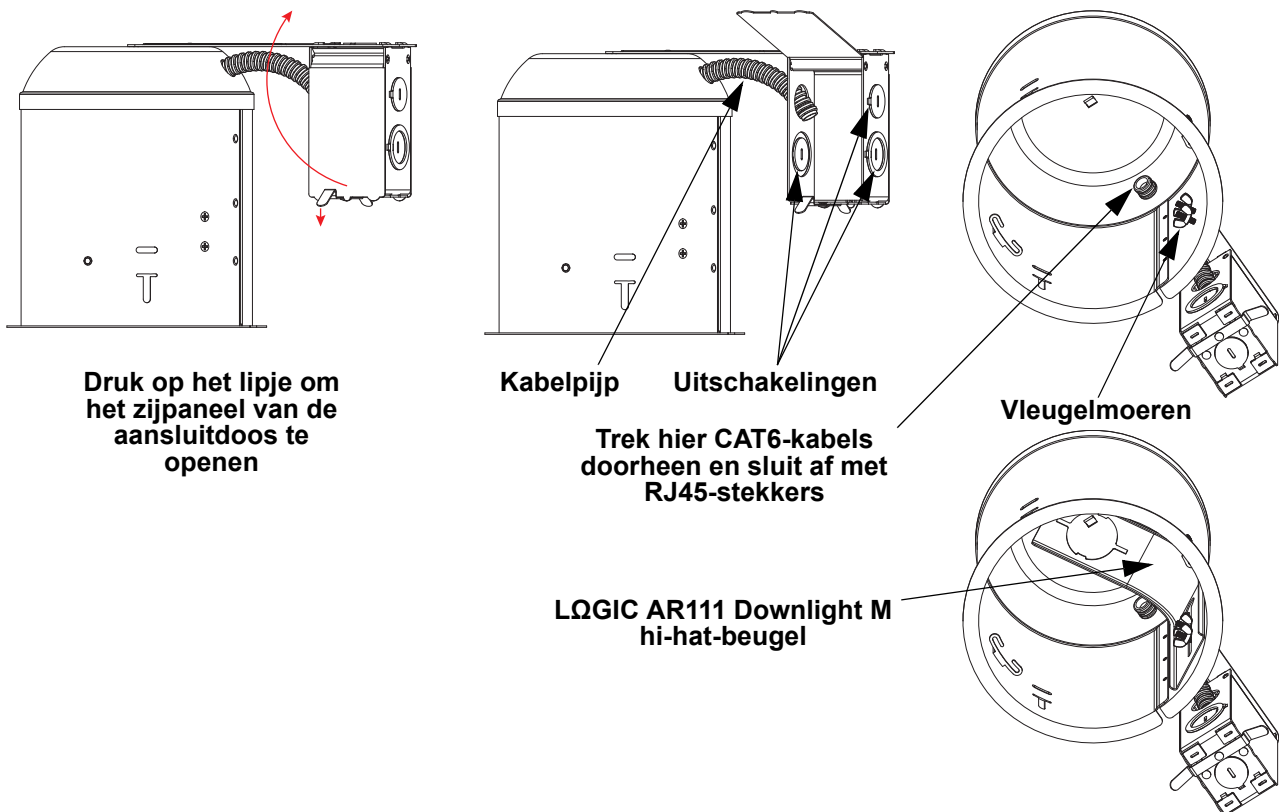
Vorbereiding Hi-Hat

De LQGIC AR111 Downlight M wordt geleverd met een hi-hat-beugel voor montage in een hi-hat-bus. Lees eerst de [Veiligheidsinstructies](#) voordat u dit product in een hi-hat-bus monteert.

1. Verwijder eerst de stroombedrading volledig uit de aansluitdoos, en gebruik een platte schroevendraaier of een tang om een uitschakeling voor de CAT6-kabels te verwijderen.
2. Leid 2 onafgesloten CAT6-kabels door de uitschakel- en kabelbuis en sluit en sluit ze aan het andere uiteinde af met RJ45-stekkers.

 **De diameter van kabelbuizen in hi-hats vereist een CAT6-kabel met een kleinere diameter, zoals Monoprice Slimrun CAT6 Ethernet-patchkabels, gevlochten 550 MHz, UTP, zuivere blanke koperdraad, 28 AWG.**

3. Verwijder de beugel die bij de hi-hat wordt geleverd, waarbij u de vleugelmoeren voor de volgende stap bewaart.
4. Installeer de hi-hat-beugel die bij de LQGIC AR111 Downlight M geleverd werd met de vleugelmoer(en) uit de vorige stap. Deze beugel is ontworpen om de beugel te vervangen die bij de hi-hat geleverd wordt.

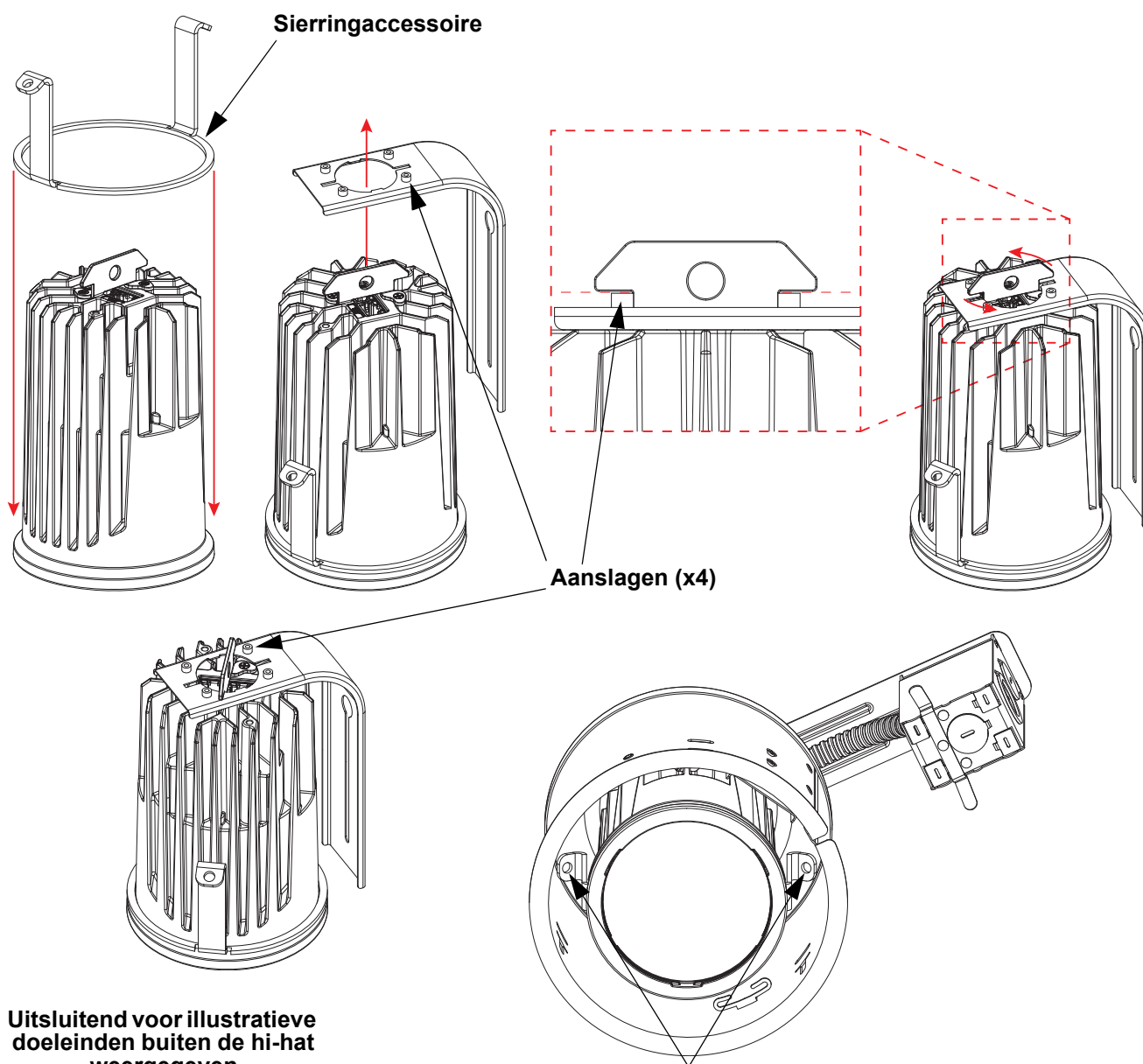


Houd u aan alle lokale codes en voorschriften wanneer hi-hats en bedrading boven het hoofd geïnstalleerd worden.

Montage Hi-Hat

Om de LQGIC AR111 Downlight M in de voorbereide hi-hat-bus te monteren:

1. Installeer de hangbeugel op het product (zie [Hangende montage](#)).
2. Plaats het sierringaccessoire van bovenaf op het product.
3. Sluit de CAT6-kabels aan die door de kabelbuis van de hi-hat geleid zijn. Zorg ervoor dat u de in- en uit-kabels op de juiste poorten aansluit.
4. Plaats het product zodanig dat de pendelbeugel omhoog komt door de hi-hat-beugel en voorbij de aanslagen.
5. Draai het product en laat het zakken zodat de pendelbeugel tussen de aanslagen op de hi-hat-beugel rust.
6. Bevestig de veren van een sierring (niet afgebeeld) aan de stijlen van het sierringaccessoire.



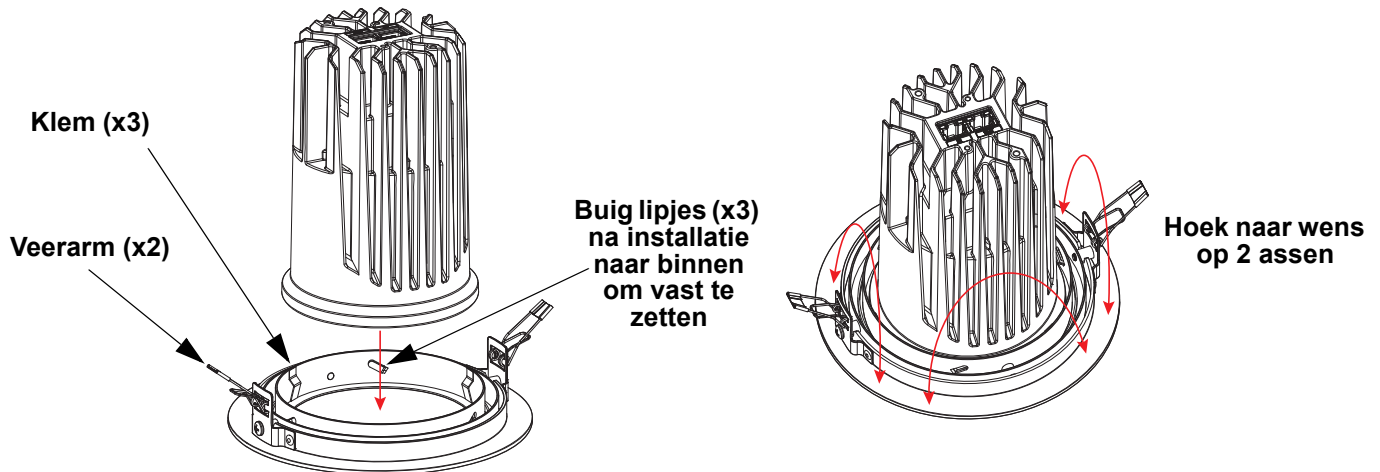
Uitsluitend voor illustratieve doeleinden buiten de hi-hat weergegeven

Bevestig de veren van een sierring (niet afgebeeld) aan de stijlen van het sierringaccessoire

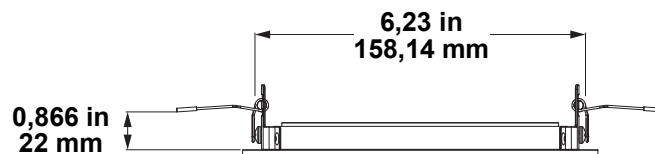
LQGC AR111 TRIM installatie

De LQGC AR111 TRIM (afzonderlijk verkocht door Iluminarc) kan gebruikt worden om de LQGC AR111 Downlight M vlak aan een plafond of hoog oppervlak te monteren. Om de LQGC AR111 TRIM aan de LQGC AR111 Downlight M te bevestigen, plaatst u de LQGC AR111 Downlight M in de bovenste opening van de LQGC AR111 TRIM totdat deze vastklikt. Buig de lipjes na installatie naar binnen om vast te zetten.

Om de LQGC AR111 TRIM te bevestigen buigt u de lipjes naar hun oorspronkelijke positie, drukt u één van de klemmen omlaag en trekt u de LQGC AR111 Downlight M in tegengestelde richting totdat deze loskomt.

**Montage met de LQGC AR111 TRIM**

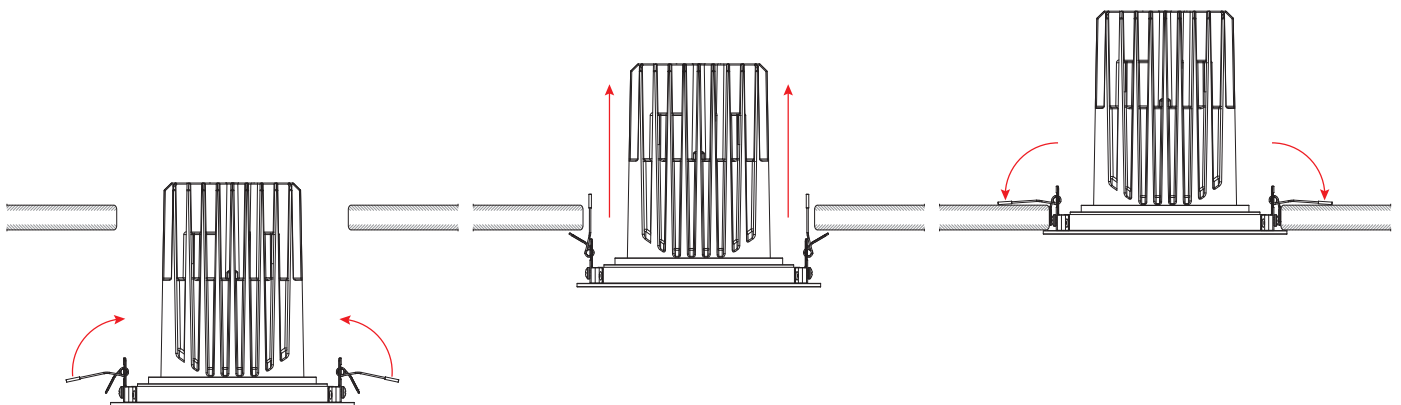
Lees alvorens dit product te monteren met de LQGC AR111 TRIM alle [Veiligheidsinstructies](#).



- De maximale plafonddikte die de LQGC AR111 TRIM kan dragen is 22 mm.
- De LQGC AR111 TRIM past in een gat met een diameter van 158,11 mm.

Ga als volgt te werk om de LQGC AR111 Downlight M te monteren met de LQGC AR111 TRIM bevestigd:

1. Snij een gat van 158,14 mm in het te gebruiken plafond of hoge oppervlak.
2. Geleid alle nodige kabels naar dat gat en steek ze voorafgaand aan de montage in de LQGC AR111 Downlight M.
3. Duw de veerarmen op de LQGC AR111 TRIM omlaag en naar binnen.
4. Plaats de LQGC AR111 Downlight M in het gat totdat de randen van het gat zich tussen de ledematen van de veerarmen bevinden.
5. Duw het product verder omhoog totdat het vastklikt. De spanning van de veerarmen houdt het product vlak tegen het plafond of hoge oppervlak totdat het opzettelijk verwijderd wordt.



Menukaart

Ga via het menu van de LQGIC Drive 2X **Linked Fixtures** naar het menu van de LQGIC AR111 Downlight M. Raadpleeg de productpagina's van LQGIC AR111 Downlight M en LQGIC Drive 2X op www.iluminarc.com voor de nieuwste menukaart.

Hoofdniveau	Programmeerniveaus		Beschrijving
Dmx Address	001–512		Selecteert het DMX-adres
Personality	RED		1 kanaal: dimmer (alleen rood)
	GREEN		1 kanaal: dimmer (alleen groen)
	BLUE		1 kanaal: dimmer (alleen blauw)
	WHITE		1 kanaal: dimmer
	TW		2 kanalen, Aanpasbaar wit: dimmer, kleurtemperatuur
	RGB		3 kanalen: RGB-besturing
	RGBW		4 kanalen: RGBW-besturing
	RGBW+D		5 kanalen: dimmer, RGBW-besturing
Network	Net Switch	2.X.X.X	Selecteert de eerste waarde van het IP-adres
		10.X.X.X	
	Universe	000–255 / 001–256 (Art-Net™) (sACN)	
Local Info	Version	V _ _ _	Toont de geïnstalleerde firmwareversie
	IP Address	_ _ _ . _ _ _ . _ _ _ . _ _ _	Toont het huidige IP-adres
	Fixture Hours	_ hours	Toont het aantal uren dat het product is ingeschakeld
	Label	_ _ _ _ _ _ _ _	Toont het productetiket
	Device UID	_ _ _ _ _ - _ _ _ _	Geeft de huidige UID
	MAC Address	_ _ _ _ _ _ _ _	Toont het MAC-adres
	Temperature	_ _ . _ °C	Toont de huidige temperatuur in °C
Factory Reset	No		Reset naar fabrieksinstellingen
	Yes		

RDM-kaart

Raadpleeg de productpagina van LQIG AR111 Downlight M op www.iluminarc.com voor de nieuwste RDM-kaart.

GET	SET	Categorie	RDM-Parameter-ID's (Sleuf 21-22)	Waarde	Verplicht	Detail
		Network Management	DISC_UNIQUE_BRANCH	0x0001	✓	
			DISC_MUTE	0x0002	✓	
			DISC_UN_MUTE	0x0003	✓	
✓		RDM Information	QUEUED_MESSAGE	0x0020		
✓			SUPPORTED_PARAMETERS	0x0050	✓	IDENTIFY_DEVICE, DEVICE_INFO, SOFTWARE_VERSION_LABEL, SUPPORTED_PARAMETERS, DMX_START_ADDRESS, DEVICE_MODEL_DESCRIPTION, MANUFACTURER_LABEL, DEVICE_LABEL, DMX_PERSONALITY, PERSONALITY_DESCRIPTION, SENSOR_DEFINITION, SENSOR_VALUE
✓			PARAMETER_DESCRIPTION	0x0051	✓	
✓		Product Information	DEVICE_INFO	0x0060	✓	1, RDM Protocol Version: V1.0; 2, Device_Mode_ID: 0x1737; 3, Product Category Defines: PRODUCT_CATEGORY_FIXTURE_FIXED; 4, Software Version ID; 5, DMX512 Footprint; 6, DMX512 Personality; 7, DMX512 Start Address; 8, Sensor Count;
			PRODUCT_DETAIL_ID_LIST	0x0070		
✓			DEVICE_MODEL_DESCRIPTION	0x0080		LOGICAR111DNM
✓			MANUFACTURER_LABEL	0x0081		ILUMINARC
✓	✓		DEVICE_LABEL	0x0082		LOGICAR111DNM
✓			SOFTWARE_VERSION_LABEL	0x00C0	✓	V._.
✓	✓		FACTORY_DEFAULTS			FACTORY_DEFAULTS : yes
✓	✓	DMX Setup	DMX_PERSONALITY	0x00E0		9pcs persons
✓			DMX_PERSONALITY_DESCRIPTION	0x00E1		RED/1CH, GREEN/1CH, BLUE/1CH, WHITE/1CH, TW/2CH, RGB/3CH, RGBW/4CH, RGBW+D/5CH, FULL/10CH
✓	✓		DMX_START_ADDRESS	0x00F0	✓	1-503
✓		Sensors	SENSOR_DEFINITION	0x0200		0.) Product Temperature __ °C
✓			SENSOR_VALUE	0x0201		—20° —100°
✓	✓	Control	IDENTIFY_DEVICE	0x1000	✓	Identify State: Off

DMX-waarden**FULL (10 kanalen)**

Kanaal	Functie	Waarde	Percentage/Instelling
1	Dimmer	000 ⇔ 255	0–100%
2	Rood	000 ⇔ 255	0–100%
3	Groen	000 ⇔ 255	0–100%
4	Blauw	000 ⇔ 255	0–100%
5	Wit	000 ⇔ 255	0–100%
6	Kleurtemperatuur	000 ⇔ 010	Geen functie
		011 ⇔ 020	1800K
		021 ⇔ 030	2200K
		031 ⇔ 040	2700K
		041 ⇔ 050	3000K
		051 ⇔ 060	3200K
		061 ⇔ 070	4000K
		071 ⇔ 080	4500K
		081 ⇔ 090	5000K
		091 ⇔ 100	5600K
		101 ⇔ 110	6000K
		111 ⇔ 120	6500K
		121 ⇔ 130	7000K
		131 ⇔ 140	8000K
		141 ⇔ 150	10000K
151 ⇔ 255	Geen functie		
7	Stroboscoop	000 ⇔ 009	Geen functie
		010 ⇔ 099	Stroboscoop, 0–25 Hz
		100 ⇔ 109	Geen functie
		110 ⇔ 179	Bliksem stroboscoop, langzaam tot snel
		180 ⇔ 189	Geen functie
		190 ⇔ 255	Willekeurigstroboscoop, langzaam tot snel
8	Automatisch programma's	000 ⇔ 040	Geen functie
		041 ⇔ 050	Automatische programma 1
		051 ⇔ 060	Automatische programma 2
		061 ⇔ 070	Automatische programma 3
		071 ⇔ 080	Automatische programma 4
		081 ⇔ 090	Automatische programma 5
		091 ⇔ 100	Automatische programma 6
		101 ⇔ 110	Automatische programma 7
		111 ⇔ 120	Automatische programma 8
		121 ⇔ 130	Automatische programma 9
		131 ⇔ 140	Automatische programma 10
141 ⇔ 255	Geen functie		
9	Programmasnelheid	000 ⇔ 255	Automatic program speed, langzaam tot snel
10	Dimmersnelheid	000 ⇔ 009	Geen functie
		010 ⇔ 129	Activeert de dimmercurve
		130 ⇔ 255	Deactiveert de dimmercurve

RGBW+D (5 kanalen)

Kanaal	Functie	Waarde	Percentage/Instelling
1	Dimmer	000 ⇔ 255	0–100%
2	Rood	000 ⇔ 255	0–100%
3	Groen	000 ⇔ 255	0–100%
4	Blauw	000 ⇔ 255	0–100%
5	Wit	000 ⇔ 255	0–100%

RGBW (4 kanalen)

Kanaal	Functie	Waarde	Percentage/Instelling
1	Rood	000 ⇔ 255	0–100%
2	Groen	000 ⇔ 255	0–100%
3	Blauw	000 ⇔ 255	0–100%
4	Wit	000 ⇔ 255	0–100%

RGB (3 kanalen)

Kanaal	Functie	Waarde	Percentage/Instelling
1	Rood	000 ⇔ 255	0–100%
2	Groen	000 ⇔ 255	0–100%
3	Blauw	000 ⇔ 255	0–100%

TW (Aanpasbaar wit: 2 kanalen)

Kanaal	Functie	Waarde	Percentage/Instelling
1	Dimmer	000 ⇔ 255	0–100%
2	Kleurtemperatuur	000 ⇔ 010	Geen functie
		011 ⇔ 020	1800K
		021 ⇔ 030	2200K
		031 ⇔ 040	2700K
		041 ⇔ 050	3000K
		051 ⇔ 060	3200K
		061 ⇔ 070	4000K
		071 ⇔ 080	4500K
		081 ⇔ 090	5000K
		091 ⇔ 100	5600K
		101 ⇔ 110	6000K
		111 ⇔ 120	6500K
		121 ⇔ 130	7000K
		131 ⇔ 140	8000K
		141 ⇔ 150	10000K
151 ⇔ 255	Geen functie		

WHITE (Wit, 1 kanaal)

Kanaal	Functie	Waarde	Percentage/Instelling
1	Dimmer	000 ⇔ 255	Alleen wit, 0–100%

BLUE (Blauw, 1 kanaal)

Kanaal	Functie	Waarde	Percentage/Instelling
1	Dimmer	000 ⇔ 255	Alleen blauw, 0–100%

GREEN (Groen, 1 kanaal)

Kanaal	Functie	Waarde	Percentage/Instelling
1	Dimmer	000 ⇔ 255	Alleen groen, 0–100%

RED (Rood, 1 kanaal)

Kanaal	Functie	Waarde	Percentage/Instelling
1	Dimmer	000 ⇔ 255	Alleen rood, 0–100%

Technische Specificaties**Afmetingen en gewicht**

Product	Lengte	Breedte	Hoogte	Gewicht
LQIC AR111 Downlight M	178 mm (6,7 in)	178 mm (6,7 in)	188,6 mm (11,51 in)	1,08 kg (2,38 lb)
LQIC AR111 TRIM	169 mm (6,65 in)	169 mm (6,65 in)	33,8 mm (1,33 in)	156 g (5,5 ons)
LQIC AR111 HF	94,5 mm (3,72 in)	94,5 mm (3,72 in)	14,5 mm (0,57 in)	34 g (1,2 ons)

Let op: Afmetingen in inches zijn afgerond.

Stroom

Stroombron	Ingangsspanning	Spanning Selectie
Power over Ethernet	52-56 VDC	Vaste
Vermogen met één armatuur	Totaal koppelvermogen per poort	Power Linking
27 W via POE	81 W via POE	3 producten per poort/PoE injector
Stroom I/O	VS/wereldwijde	VK/Europa
Stroomingangsstekker	Ethernet RJ45	Ethernet RJ45
Stroomuitgangsstekker	Ethernet RJ45	Ethernet RJ45
Kabeltyp (vereist)	CAT6	CAT6

Lichtbron

Type	Kleur	Aantal	Vermogen	Stroomsterkte	Levensduur
LED	RGBW	1	45 W	17,5 A	50.000 uur

Photometrics

Filter	Stralingshoek	Field hoek	Drempelhoek	Verlichtingssterkte @ 5 m
Open optiek	11,4°	26°	55,8°	387 lux
Middelgroot (vooraf geïnstalleerd)	49,5°	95,3°	124,5°	41 lux
Middelgroot met HF	31°	62,1°	86,5°	42 lux
Breed (inbegrepen)	60,4°	111,2°	138,3°	30 lux
Breed met HF	32,6°	65,7°	101,7°	33 lux

Bekabelen

Totale maximale kabellengte (Apparaat naar apparaat)	Bereik kabeldiameter Minder dan 50 ft (15 m)	Bereik kabeldiameter 50-328 ft (15-100 m)
100 m (328 ft)	23-24 AWG (afgeschermd of niet)	23 AWG (afgeschermd)

Thermisch

Omgevingstemperatuurbereik	Koelsysteem
-20 °C tot 45 °C (-4 °F tot 113 °F)	Convectie

Bestellen

Productbeschrijving	Productnaam	Artikelcode	UPC Nummer
LQIC AR111 Downlight M	LOGICAR111DNM	1541737	781462220853
LQIC AR111 TRIM	LOGICAR111TRIM	1541819	781462221676
LQIC AR111 HF	LOGICAR111HF	1651833	781462221812

Contact Us

General Information	Technical Support
Chauvet World Headquarters	
Address: 5200 NW 108th Ave. Sunrise, FL 33351 Voice: (954) 577-4455 Fax: (954) 929-5560 Toll Free: (800) 762-1084	Voice: (844) 393-7575 Fax: (954) 756-8015 Email: support@iluminarc.com Website: www.iluminarc.com
Chauvet U.K.	
Address: Unit 1C Brookhill Road Industrial Estate Pinxton, Nottingham, UK NG16 6NT Voice: +44 (0) 1773 511115 Fax: +44 (0) 1773 511110	Email: UKtech@chauvetlighting.eu Website: www.iluminarc.com
Chauvet Benelux	
Address: Stokstraat 18 9770 Kruishoutem Belgium Voice: +32 9 388 93 97	Email: BNLtech@chauvetlighting.eu Website: www.iluminarc.com
Chauvet France	
Address: 3, Rue Ampère 91380 Chilly-Mazarin France Voice: +33 1 78 85 33 59	Email: FRtech@chauvetlighting.fr Website: www.iluminarc.com
Chauvet Germany	
Address: Bruno-Bürgel-Str. 11 28759 Bremen Germany Voice: +49 421 62 60 20	Email: DEtech@chauvetlighting.de Website: www.iluminarc.com
Chauvet Mexico	
Address: Av. de las Partidas 34 - 3B (Entrance by Calle 2) Zona Industrial Lerma Lerma, Edo. de México, CP 52000 Voice: +52 (728) 690-2010	Email: servicio@chauvet.com.mx Website: www.iluminarc.com

Visit the applicable website above to verify our contact information and instructions to request support. Outside the U.S., U.K., Ireland, Mexico, France, Germany, or Benelux, contact the dealer of record.



UL 2108, UL 1598A
CSA C22.2 No. 250.2
E115166



RoHS

