

User Manual
ILUMIPOD SL



Model ID: ILUMIPODSL

ILUMINARC®

Edition Notes

The Ilumipod SL User Manual includes a description, safety precautions, installation, programming, operation and maintenance instructions for the Ilumipod SL as of the release date of this edition.

Trademarks

ILUMINARC, the Iluminarc logo and Ilumipod SL are registered trademarks or trademarks of Chauvet & Sons, LLC (d/b/a Chauvet and Chauvet Lighting) in the United States and other countries. Other company and product names and logos referred to herein may be trademarks of their respective companies.

Copyright Notice

The works of authorship contained in this manual, including, but not limited to, all design, text and images are owned by Chauvet.

© **Copyright 2023 Chauvet & Sons, LLC. All rights reserved.**

Electronically published by Chauvet in the United States of America.

Manual Use

Chauvet authorizes its customers to download and print this manual for professional information purposes only. Chauvet expressly prohibits the usage, copy, storage, distribution, modification, or printing of this manual or its content for any other purpose without written consent from Chauvet.

Document Printing

For best results, print this document in color, on letter size paper (8.5 x 11 in), double-sided. If using A4 paper (210 x 297 mm), configure the printer to scale the content accordingly.

Intended Audience

Any person installing, operating, and/or maintaining this product should completely read through the guide that shipped with the product, as well as this manual, before installing, operating, or maintaining this product.

Disclaimer

Chauvet believes that the information contained in this manual is accurate in all respects. However, Chauvet assumes no responsibility and specifically disclaims any and all liability to any party for any loss, damage or disruption caused by any errors or omissions in this document, whether such errors or omissions result from negligence, accident or any other cause. Chauvet reserves the right to revise the content of this document without any obligation to notify any person or company of such revision, however, Chauvet has no obligation to make, and does not commit to make, any such revisions. Download the latest version from www.iluminarc.com.

Document Revision

This Ilumipod SL User Manual is the 4th edition of this document. Go to www.iluminarc.com for the latest version.

TABLE OF CONTENTS

- 1. Before You Begin** 1
 - What Is Included 1
 - Claims 1
 - Text Conventions 1
 - Symbols 1
 - FCC Compliance 1
 - Expected LED Lifespan 1
 - Safety Notes 2
 - Personal Safety 2
 - Mounting and Rigging 2
 - Power and Wiring 2
 - Operation 2
- 2. Introduction** 3
 - Description 3
 - Product Overview 3
 - Product Dimensions 4
- 3. Setup** 5
 - AC Power 5
 - AC Plug 5
 - DMX Linking 5
 - Remote Device Management (RDM) 6
 - Beam-Shaping Filters 6
 - Mounting 7
 - Orientation 7
 - Rigging 7
 - Procedure 7
- 4. Operation** 8
 - RDM2go Control 8
 - Menu Map 8
 - Configuration (DMX) 9
 - Control Personalities 9
 - Starting Address 9
 - Control Channel Assignments and Values 9
 - ARC 9
 - SOLID (1 Channel) 9
 - SPECIAL2 (9 Channels) 10
 - Preset Colors Chart 11
 - Color Temperature Chart 11
 - Configuration (Static Mode) 12
 - Configuration (Settings) 12
 - Dimmer Speed 12
 - Color Calibration 12
 - Color Macro White Balance 12
 - RGBTOW Mode 12
 - Universal Calibration 12
 - Factory Reset 12
- 5. Maintenance** 13
 - Product Maintenance 13
- 6. Technical Specifications** 14
- Contact Us** 15
 - Warranty & Returns 15

1. Before You Begin

What Is Included

- Ilumipod SL
- Filter frame
- Quick Reference Guide

Claims

Carefully unpack the product immediately and check the container to make sure all the parts are in the package and are in good condition.




If the box or the contents (the product and included accessories) appear damaged from shipping, or show signs of mishandling, notify the carrier immediately, not Chauvet. Failure to report damage to the carrier immediately may invalidate a claim. In addition, keep the box and contents for inspection.

For other issues, such as missing components or parts, damage not related to shipping, or concealed damage, file a claim with Chauvet within 7 days of delivery.

Text Conventions

Convention	Meaning
1–512	A range of values
50/60	A set of values of which only one can be chosen
Settings	A menu option not to be modified
<ENTER>	A key to be pressed on the product's control panel

Symbols

Symbol	Meaning
	Critical installation, configuration, or operation information. Not following these instructions may make the product not work, cause damage to the product, or cause harm to the operator.
	Important installation or configuration information. The product may not function correctly if this information is not used.
	Useful information.



The term “DMX” used throughout this manual refers to the USITT DMX512-A digital data transmission protocol.

FCC Compliance

This device complies with Part 15 Part B of the FCC Rules. Operation is subject to the following two conditions:

1. This device may not cause harmful interference, and
2. This device must accept any interference received, including interference that may cause undesired operation.

Any changes or modifications not expressly approved by the party responsible for compliance could void the user's authority to operate the equipment.

Expected LED Lifespan

Over time, use and heat will gradually reduce LED brightness. Clustered LEDs produce more heat than single LEDs, contributing to shorter lifespans if always used at full intensity. The average LED lifespan is 40,000 to 50,000 hours. To extend LED lifespan, maintain proper ventilation around the product, and limit the overall intensity.

Safety Notes

Read all the following safety notes before working with this product. These notes contain important information about the installation, usage, and maintenance of this product.



This product contains no user-serviceable parts. Any reference to servicing in this User Manual will only apply to properly trained, certified technicians. Do not open the housing or attempt any repairs.



All applicable local codes and regulations apply to proper installation of this product.

Personal Safety

- Avoid direct eye exposure to the light source while the product is on.
- Always disconnect the product from the power source before cleaning.
- Always connect the product to a grounded circuit to avoid the risk of electrocution.
- Do not touch the product's housing when operating because it may be very hot.

Mounting and Rigging

- The luminaire is intended for professional use only.
- The product should be positioned so that prolonged staring into it at a distance closer than 3.3 ft (1 m) is not expected.
- Do not submerge this product (IP67). Temporary outdoor operation is fine.
- When using this product in an outdoor environment, use IP65 (or higher) rated power and data cables. Secure unused power and data ports with attached IP65 covers.
- CAUTION: When transferring product from extreme temperature environments, (e.g., cold truck to warm, humid ballroom) condensation may form on the internal electronics of the product. To avoid causing a failure, allow product to fully acclimate to the surrounding environment before connecting it to power.
- Not for permanent outdoor installation in locations with extreme environmental conditions. This includes, but is not limited to:
 - Exposure to a marine/saline environment (within 3 miles of a saltwater body of water).
 - Locations where the normal high or low temperatures exceed the temperature ranges in this manual.
 - Locations that are prone to flooding or being buried in snow.
 - Areas where the product will be subjected to extreme radiation or caustic substances.
- Mount this product in a location with adequate ventilation, at least 20 in (50 cm) from adjacent surfaces.
- Make sure there are no flammable materials close to the product when operating.
- When hanging this product, always secure to a fastening device using a safety cable.

Power and Wiring

- Make sure the power cord is not crimped or damaged.
- Always make sure to connect this product to the proper voltage in accordance with the specifications in this manual or on the product's specification label.
- To eliminate unnecessary wear and improve its lifespan, during periods of non-use completely disconnect the product from power via breaker or by unplugging it.
- Never connect this product to a dimmer pack or rheostat.
- Make sure to replace the fuse with another of the same type and rating.
- Never disconnect this product by pulling or tugging on the power cable.
- If the external flexible cable or cord of this product is damaged, it shall be replaced with a special cable or cord exclusively available from the manufacturer or its service agent.
- The light source contained in this luminaire shall only be replaced by the manufacturer, its service agent, or a similarly qualified person.

Operation

- Do not operate this product if there is damage on the housing, lenses, or cables. Have the damaged parts replaced by an authorized technician at once.
- Do not cover the ventilation slots when operating to avoid internal overheating.
- The startup temperature range is -4 °F to 113 °F (-20 °C to 45 °C).
- The operating temperature range is -40 °F to 113 °F (-40 °C to 45 °C).
- The storage temperature range is -40 °F to 167 °F (-40 °C to 75 °C).
- Do not start, operate, or store the product outside of the above temperature ranges.
- In the event of a serious operation problem, stop using this product immediately!



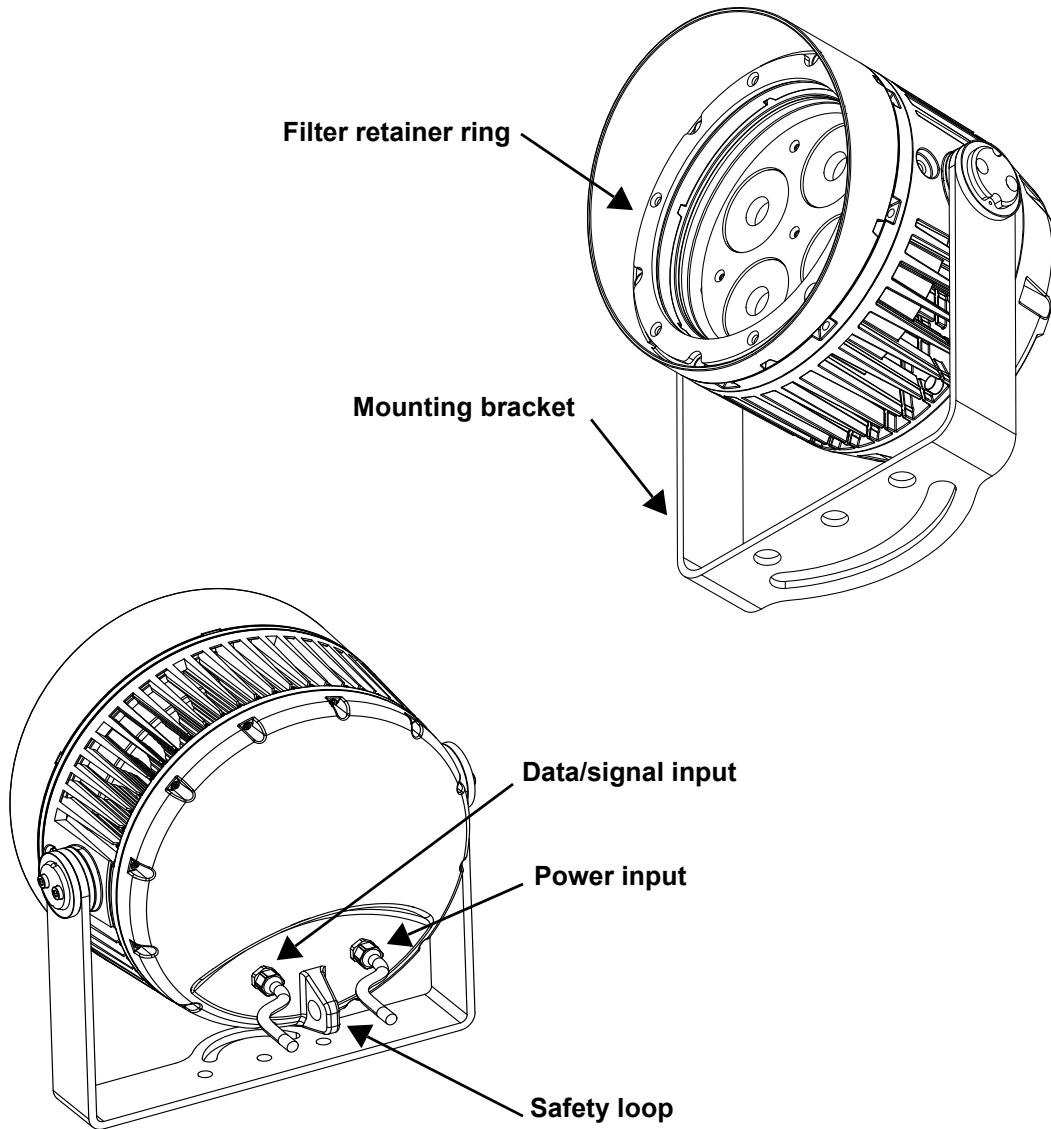
If this Chauvet product requires service, contact Chauvet Technical Support.

2. Introduction

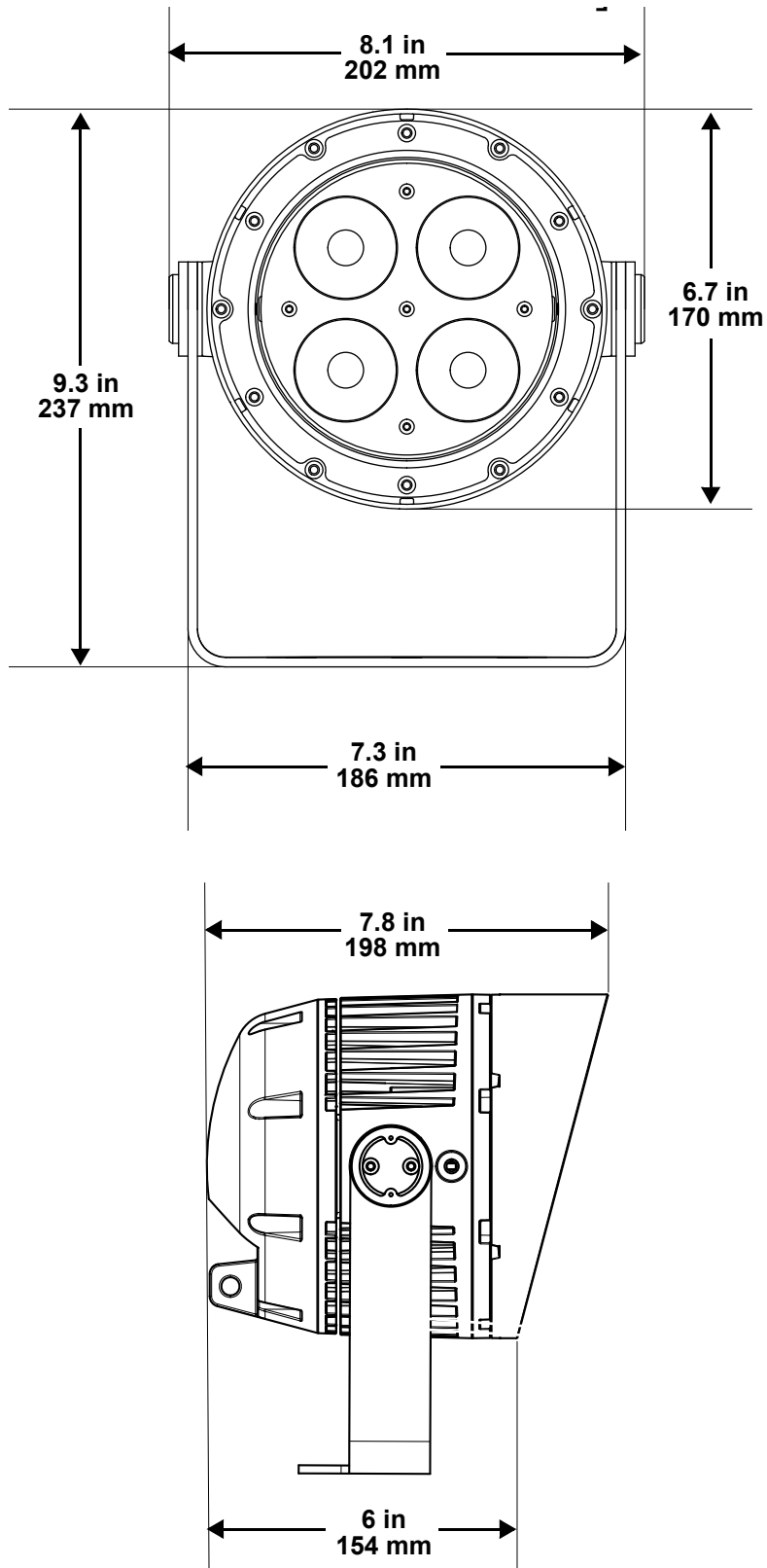
Description

The Illumipod SL from Illuminarc fuses plug-and-play installation with precision optics to create seamless splashes of light and color. Bringing energy to any architectural project in any weather conditions, it has a sleek, low-profile form factor and four-in-one LED optics. The advanced RGBL color mixing unlocks true whites from crisp and cool tones to warm incandescent ambers, as well as raucous, saturated shades.

Product Overview



Product Dimensions



3. Setup

AC Power

The Ilumipod SL has an auto-ranging power supply, and it can work with an input voltage range of 100 to 277 VAC, 50/60 Hz.

To determine the product's power requirements (circuit breaker, power outlet, and wiring), use the current value listed on the label affixed to the product's back panel, or refer to the product's specifications chart. The listed current rating indicates the product's average current draw under normal conditions.



- **Always connect the product to a protected circuit (a circuit breaker or fuse). Make sure the product has an appropriate electrical ground to avoid the risk of electrocution or fire.**
- **To eliminate unnecessary wear and improve its lifespan, during periods of non-use completely disconnect the product from power via breaker or by unplugging it.**



Never connect the product to a rheostat (variable resistor) or dimmer circuit, even if the rheostat or dimmer channel serves only as a 0 to 100% switch.

AC Plug

The Ilumipod SL comes with a bare-ended power input cord. Use the table below to wire a plug.

Connection	Wire (U.S.)	Wire (Europe)	Screw Color
AC Live	Black	Brown	Yellow or Brass
AC Neutral	White	Blue	Silver
AC Ground	Green/Yellow	Green/Yellow	Green

DMX Linking

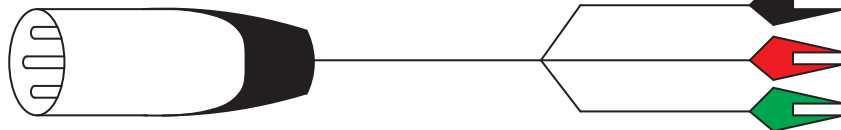
The Ilumipod SL will work with a DMX controller using a standard DMX serial connection. A DMX Primer is available from www.iluminarc.com.

DMX Output



1. Ground
2. Data -
3. Data +

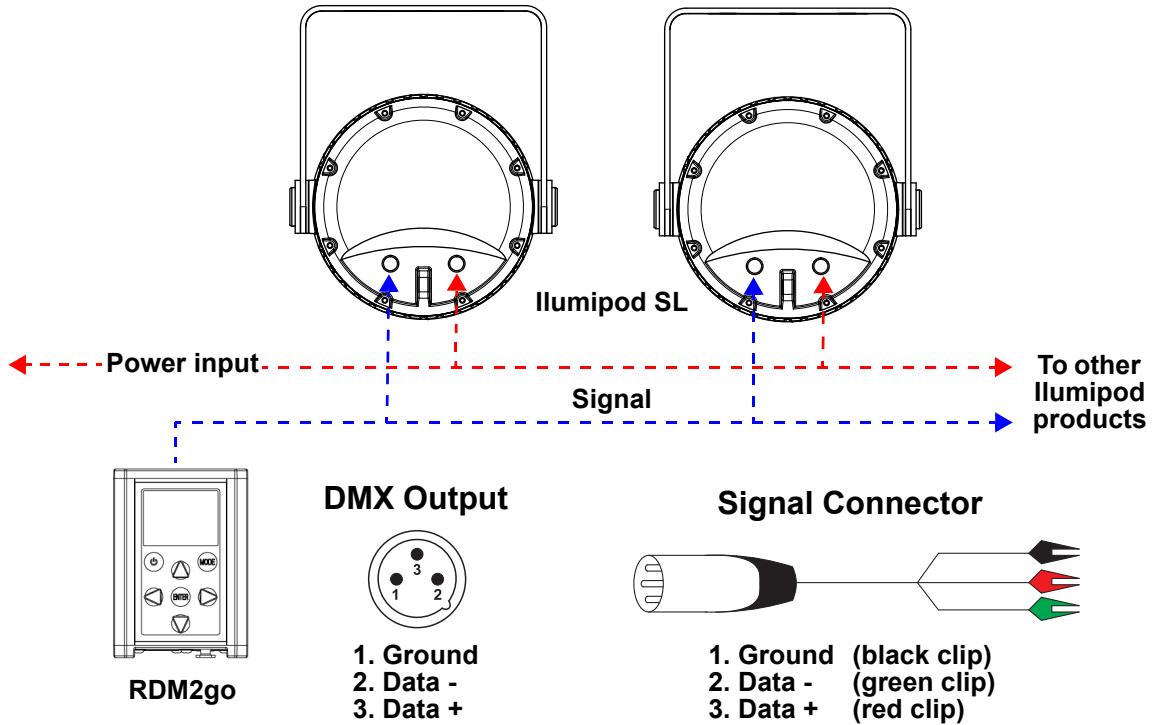
Signal Connector



1. Ground (black clip)
2. Data - (green clip)
3. Data + (red clip)

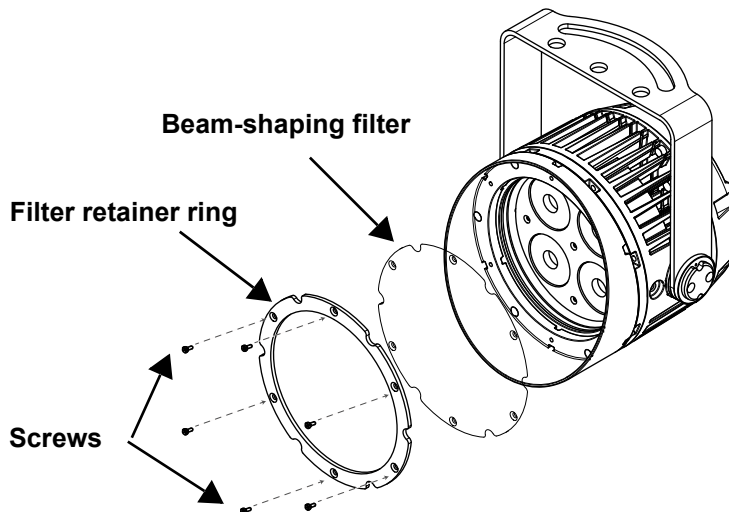
Remote Device Management (RDM)

Remote Device Management, or RDM, is a standard for allowing DMX-enabled devices to communicate bi-directionally along existing DMX cabling. Check the DMX controller's User Manual or with the manufacturer as not all DMX controllers have this capability. The Ilumipod SL supports RDM protocol that allows feedback to make changes to menu map options.



Beam-Shaping Filters

The Ilumipod SL can be used with the medium, wide, very wide, or asymmetrical beam-shaping filters (sold separately).



Follow the instructions below to install the optional filters:

1. Detach the filter retainer ring by removing the screws attaching it to the fixture.
2. Place the beam-shaping filter on top of the lenses. Ensure the glossy side of the filter is facing OUT.
3. Place back the filter retainer ring on top of the beam-shaping filter.
4. Screw the filter and the retainer ring back in place.

Mounting

Before mounting the product, read and follow the safety recommendations indicated in the Safety Notes.

Orientation

Always mount this product in a safe position, making sure there is adequate room for ventilation, configuration, and maintenance.

Rigging

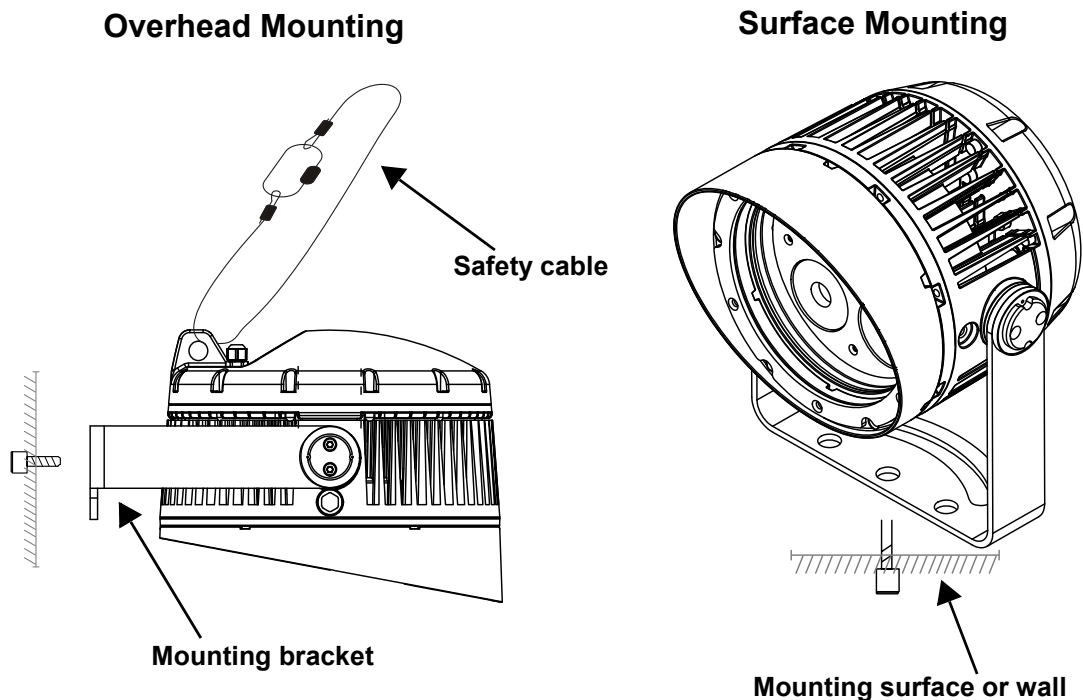
Chauvet recommends using the following general guidelines when mounting this product.

- Before deciding on a location for the product, always make sure there is easy access to the product for maintenance and programming.
- Make sure that the structure or surface onto which the product is being mounted can support the product's weight (see the [Technical Specifications](#)).
- always use a safety cable, when mounting the product overhead. Mount the product securely to a rigging point, whether an elevated platform or a truss.
- When rigging the product onto a truss, use hardware of appropriate weight capacity.

Procedure

The Ilumipod SL comes with two adjustable brackets which can be secured directly to a mounting surface. Make sure the mounting surface and hardware are capable of supporting the weight of this product. Use at least one mounting point per product.

Mounting Diagram



4. Operation

RDM2go Control

The Ilumipod SL requires an external controller, such as the RDM2go (from Chauvet Professional), to change its configuration.

Menu Map

Refer to the Ilumipod SL product page on www.iluminarc.com for the latest menu map.

The Ilumicode section of the RDM2go (from Chauvet Professional) is required to access the full menu of options. For more information, download the RDM2go User Manual from www.chauvetprofessional.com.

Main Level	Programming Levels		Description
STATIC	RED GREEN BLUE COOL SOLID STROBE	000–255	Configures the static color and effect
	OFF		
DIMMER	DIM1–4		Dimmer works in non-linear mode, from fastest (DIM1) to slowest (DIM4)
	WHITE (1–11) RGBTOW	RED GREEN BLUE COOL 000–255	Determines the white balance for the color macros Determines the white balance when RGBTOW is active
PERSON	ARC1		3-channel: RGB control
	ARC1+D		4-channel: dimmer, RGB control
	ARC2		4-channel: RGBL control
	ARC2+D		5-channel: dimmer, RGBL control
	ARC FULL		8-channel: dimmer, RGB control, preset colors, color temperature, strobe, dimmer speed
	SOLID		1-channel: LED control
SPECIAL2	SPECIAL2		9-channel: dimmer, RGBL control, preset colors, color temperature, strobe, dimmer speed
	SPECIAL2		9-channel: dimmer, RGBL control, preset colors, color temperature, strobe, dimmer speed
DMX	001–512		Selects DMX address (highest channel restricted to personality chosen)
UC-CALIB	RED GREEN BLUE	000–255	Universal color calibration
SETTINGS	COLOR	OFF	Maximum output, unbalanced white
		RGBTOW	White output is determined by the CALIB > RGBTOW settings
		UC	Output matches that of product's previous versions
	RESET	NO	Resets unit to factory default settings
YES			

Configuration (DMX)

Use control configurations to operate the product with a DMX controller.

Control Personalities

To set the control personality:

1. Go to the **PERSON** main level.
2. Select the desired personality, from **ARC1**, **ARC1+D**, **ARC2**, **ARC2+D**, **ARC FULL**, **SOLID**, or **SPECIAL2**.



- See the [Starting Address](#) section for the highest starting address that can be selected for each personality.
- Make sure that the starting addresses on the various products do not overlap due to the new personality setting.

Starting Address

Each product will respond to a unique starting address from the controller. All products with the same starting address will respond in unison. To set the starting address:

1. Go to the **DMX** main level.
2. Select the starting address (**001–512**).

Personality	Channels	Highest Starting Address
ARC1	3	510
ARC1+D	4	509
ARC2	4	509
ARC2+D	5	508
ARC FULL	8	505
SOLID	1	512
SPECIAL2	9	504

Control Channel Assignments and Values

ARC

1	1+D	2	2+D	FULL	Function	Value	Percent/Setting
–	1	–	1	1	Dimmer	000 ⇔ 255	0–100%
1	2	1	2	2	Red	000 ⇔ 255	0–100%
2	3	2	3	3	Green	000 ⇔ 255	0–100%
3	4	3	4	4	Blue	000 ⇔ 255	0–100%
–	–	4	5	–	Lime	000 ⇔ 255	0–100%
–	–	–	–	5	Preset colors	000 ⇔ 255	See Preset Colors Chart
–	–	–	–	6	Color temperature	000 ⇔ 255	See Color Temperature Chart
–	–	–	–	7	Strobe	000 ⇔ 009 010 ⇔ 255	No function Strobe, slow to fast
–	–	–	–	8	Dimmer speed	000 ⇔ 009 010 ⇔ 029 030 ⇔ 069 070 ⇔ 129 130 ⇔ 189 190 ⇔ 255	No function Off DIM1 (fastest) DIM2 DIM3 DIM4 (slowest)

SOLID (1 Channel)

Channel	Function	Value	Percent/Setting
1	Dimmer	000 ⇔ 255	All LEDs (0–100%)

SPECIAL2 (9 Channels)

Channel	Function	Value	Percent/Setting
1	Dimmer	000 ⇔ 255	0–100%
2	Red	000 ⇔ 255	0–100%
3	Green	000 ⇔ 255	0–100%
4	Blue	000 ⇔ 255	0–100%
5	Lime	000 ⇔ 255	0–100%
6	Preset color	000 ⇔ 255	see Preset Colors Chart
7	Color temperature	000 ⇔ 255	see Color Temperature Chart
8	Strobe	000 ⇔ 009	No function
		010 ⇔ 255	Strobe, 1–25 Hz
9	Dimmer speed	000 ⇔ 009	No function
		010 ⇔ 029	Dimmer speed OFF
		030 ⇔ 069	Dimmer speed 1 (fastest)
		070 ⇔ 129	Dimmer speed 2
		130 ⇔ 189	Dimmer speed 3
	190 ⇔ 255	Dimmer speed 4 (slowest)	

Preset Colors Chart

DMX Channel	Preset Color	DMX Channel	Preset Color
000 ⇔ 010	No function	121 ⇔ 140	Steel Green
011 ⇔ 020	Light Salmon	141 ⇔ 145	Steel Blue
021 ⇔ 025	Scarlet	146 ⇔ 150	Special Steel Blue
026 ⇔ 030	Flame Red	151 ⇔ 160	New Color Blue
031 ⇔ 045	Dark Salmon	161 ⇔ 165	Dark Steel Blue
046 ⇔ 050	Sunset Red	166 ⇔ 185	Pale Violet
051 ⇔ 060	CID (to Tungsten)	186 ⇔ 200	Pretty 'n Pink
061 ⇔ 065	Soft Golden Amber	201 ⇔ 205	Follies Pink
066 ⇔ 070	Urban Sodium	206 ⇔ 220	Smokey Pink
071 ⇔ 080	LEE Yellow	221 ⇔ 225	Flesh Pink
081 ⇔ 085	Ice And A Slice	226 ⇔ 240	Pink
086 ⇔ 110	Dark Yellow Green	241 ⇔ 255	Cherry Rose
111 ⇔ 120	Turquoise		

Color Temperature Chart

DMX Channel	Color Temperature	DMX Channel	Color Temperature
000 ⇔ 009	No function	100 ⇔ 115	4500–5000K linear transition
010	1800K	115	5000K
010 ⇔ 025	1800–2200K linear transition	115 ⇔ 130	5000–5600K linear transition
025	2200K	130	5600K
025 ⇔ 040	2200–2700K linear transition	130 ⇔ 145	5600–6000K linear transition
040	2700K	145	6000K
040 ⇔ 055	2700–3000K linear transition	145 ⇔ 160	6000–6500K linear transition
055	3000K	160	6500K
055 ⇔ 070	3000–3200K linear transition	160 ⇔ 175	6500–7000K linear transition
070	3200K	175	7000K
070 ⇔ 085	3200–4000K linear transition	175 ⇔ 190	7000–8000K linear transition
085	4000K	190	8000K
085 ⇔ 100	4000–4500K linear transition	190 ⇔ 205	8000–10000K linear transition
100	4500K	205 ⇔ 255	10000K

Configuration (Static Mode)

To set the Ilumipod SL to operate in a static or strobing color without DMX:

1. Go to the **STATIC** main level.
2. Select the parameter to configure, from:
 - **RED**,
 - **GREEN**,
 - **BLUE**,
 - **COOL** (lime),
 - **SOLID** (no function), or
 - **STROBE**
3. Set the selected parameter to the desired level, from **000–255**.
4. Repeat until the static mode is set as desired.

Configuration (Settings)

Dimmer Speed

To set the dimmer speed:

1. Go to the **DIMMER** main level.
2. Select the dimmer speed from **OFF** (linear dimmer), **DIM1** (fastest), **DIM2**, **DIM3**, or **DIM4** (slowest).

Color Calibration

There are 4 color calibration options for the Ilumipod SL: **OFF** (maximum output/unbalanced white), **RGBTOW** (quad-color calibration), **UC** (“universal”, tri-color calibration to match legacy products), and the color macro **WHITE 1–11** settings.

To select the color calibration mode:

1. Go to the **SETTINGS** main level.
2. Select the **COLOR** option.
3. Select the calibration mode, from **OFF**, **RGBTOW**, or **UC**.

Color Macro White Balance

To adjust the color macro white balance:

1. Go to the **CALIB** main level.
2. Select the macro to adjust, from **WHITE 1–11**.
3. Select the color level to adjust, from **RED**, **GREEN**, **BLUE**, or **COOL** (lime).
4. Set the level of the selected color, from **000–255**.
5. Repeat until the white balances are set as desired.

RGBTOW Mode

To adjust the color calibration in **RGBTOW** mode:

1. Go to the **CALIB** main level.
2. Select the **RGBTOW** option.
3. Select the color level to adjust, from **RED**, **GREEN**, **BLUE**, or **COOL** (lime).
4. Set the level of the selected color, from **000–255**.
5. Repeat until the calibration is set as desired.

Universal Calibration

To adjust the color calibration in **UC** mode:

1. Go to the **UC-CALIB** main level.
2. Select the color level to adjust, from **RED**, **GREEN**, or **BLUE**.
3. Set the level of the selected color, from **000–255**.
4. Repeat until the calibration is set as desired.

Factory Reset

To reset the product to factory default settings:

1. Go to the **SETTINGS** main level.
2. Select the **RESET** option.
3. Select from **NO** (cancel) or **YES** (reset).

5. Maintenance

Product Maintenance

Dust build-up reduces light output performance and can cause overheating. This can lead to reduction of the light source's life and/or mechanical wear. To maintain optimum performance and minimize wear, clean lighting products at least twice a month. However, be aware that usage and environmental conditions could be contributing factors to increase the cleaning frequency.

To clean the product, follow the instructions below:

1. Unplug the product from power.
2. Wait until the product is at room temperature.
3. Use a vacuum (or dry compressed air) and a soft brush to remove dust collected on the external surface/vents.
4. Clean all transparent surfaces with a mild soap solution, ammonia-free glass cleaner, or isopropyl alcohol.
5. Apply the solution directly to a soft, lint free cotton cloth or a lens cleaning tissue.
6. Softly drag any dirt or grime to the outside of the transparent surface.
7. Gently polish the transparent surfaces until they are free of haze and lint.



Always dry the transparent surfaces carefully after cleaning them.

6. Technical Specifications

Dimensions and Weight

Length	Width	Height	Weight
8.11 in (206 mm)	7.76 in (197 mm)	8.54 in (217 mm)	9 lb (4.1 kg)

Note: Dimensions in inches are rounded.

Power

Power Supply Type	Range	Voltage Selection
Switching (internal)	100 to 277 VAC, 50/60 Hz	Auto-ranging

Parameter	100 V, PF: 98	120 V, PF: 97	208 V, PF: 89	230 V, PF: 85	240 V, PF: 84	277 V, PF: 81
Consumption	59 W	58 W	56 W	55 W	55 W	56 W
Operating current	0.591 A	0.494 A	0.304 A	0.270 A	0.261 A	0.274 A

Power I/O	U.S./Worldwide	UK/Europe
Power input connector	Bare-ended power input cord	Bare-ended power input cord

Power Connection	Recommended Cable
6.25 ft (1.13 m) waterproof cable	Power and data interface (14 AWG)

Light Source

Type	Color	Quantity	Power	Current	Lifespan
LED	Quad-color RGLB	4	20 W	1 A	50,000 hours

Photometrics

Parameter	Installed Optics	Medium Filter	Wide Filter	Very Wide Filter	Asymmetrical Filter
Beam Angle	6.5°	20.2°	32.4°	34.8°	20° x 13.4°
Field Angle	11.1°	40.7°	64.8°	73.4°	43.2° x 31.5°
Cutoff Angle	18.3°	60.7°	140.8°	150.4°	66.5° x 53.4°
Illuminance	2,113 lux	1,884 lux	1,562 lux	1,479 lux	1,703 lux

Thermal

Startup Temperature Range	Operating Temperature Range	Cooling System
-4 °F–113 °F (-20 °C–45 °C)	-40 °F–113 °F (-40 °C–45 °C)	Convection

DMX

I/O Connector	Channel Range
USITT DMX-512a	1, 3, 4, 4, 5, 8, or 9 channels

Ordering

Product Name	Item Name	Item Code	UPC Number
Ilumipod SL	ILUMIPODSL	01631637	781462219857



Contact Us

General Information	Technical Support
Chauvet World Headquarters	
Address: 3360 Davie Rd. Davie, FL 33314 Voice: (954) 577-4455 Fax: (954) 929-5560 Toll Free: (800) 762-1084	Voice: (844) 393-7575 Fax: (954) 756-8015 Email: support@iluminarc.com Website: www.iluminarc.com
Chauvet U.K.	
Address: Pod 1 EVO Park Little Oak Drive, Sherwood Park Nottinghamshire, NG15 0EB UK Voice: +44 (0) 1773 511115 Fax: +44 (0) 1773 511110	Email: UKtech@chauvetlighting.eu Website: www.iluminarc.com
Chauvet Benelux	
Address: Stokstraat 18 9770 Kruishoutem Belgium Voice: +32 9 388 93 97	Email: BNLtech@chauvetlighting.eu Website: www.iluminarc.com
Chauvet France	
Address: 3, Rue Ampère 91380 Chilly-Mazarin France Voice: +33 1 78 85 33 59	Email: FRtech@chauvetlighting.fr Website: www.iluminarc.com
Chauvet Germany	
Address: Bruno-Bürgel-Str. 11 28759 Bremen Germany Voice: +49 421 62 60 20	Email: DEtech@chauvetlighting.de Website: www.iluminarc.com
Chauvet Mexico	
Address: Av. de las Partidas 34 - 3B (Entrance by Calle 2) Zona Industrial Lerma Lerma, Edo. de México, CP 52000 Voice: +52 (728) 690-2010	Email: servicio@chauvet.com.mx Website: www.iluminarc.com

Warranty & Returns

For warranty terms and conditions and return information, please visit our website.

For customers in the United States and Mexico: www.chauvetlighting.com/warranty-registration.

For Customers in the United Kingdom, Republic of Ireland, Belgium, the Netherlands, Luxembourg, France, and Germany: www.chauvetlighting.eu/warranty-registration.